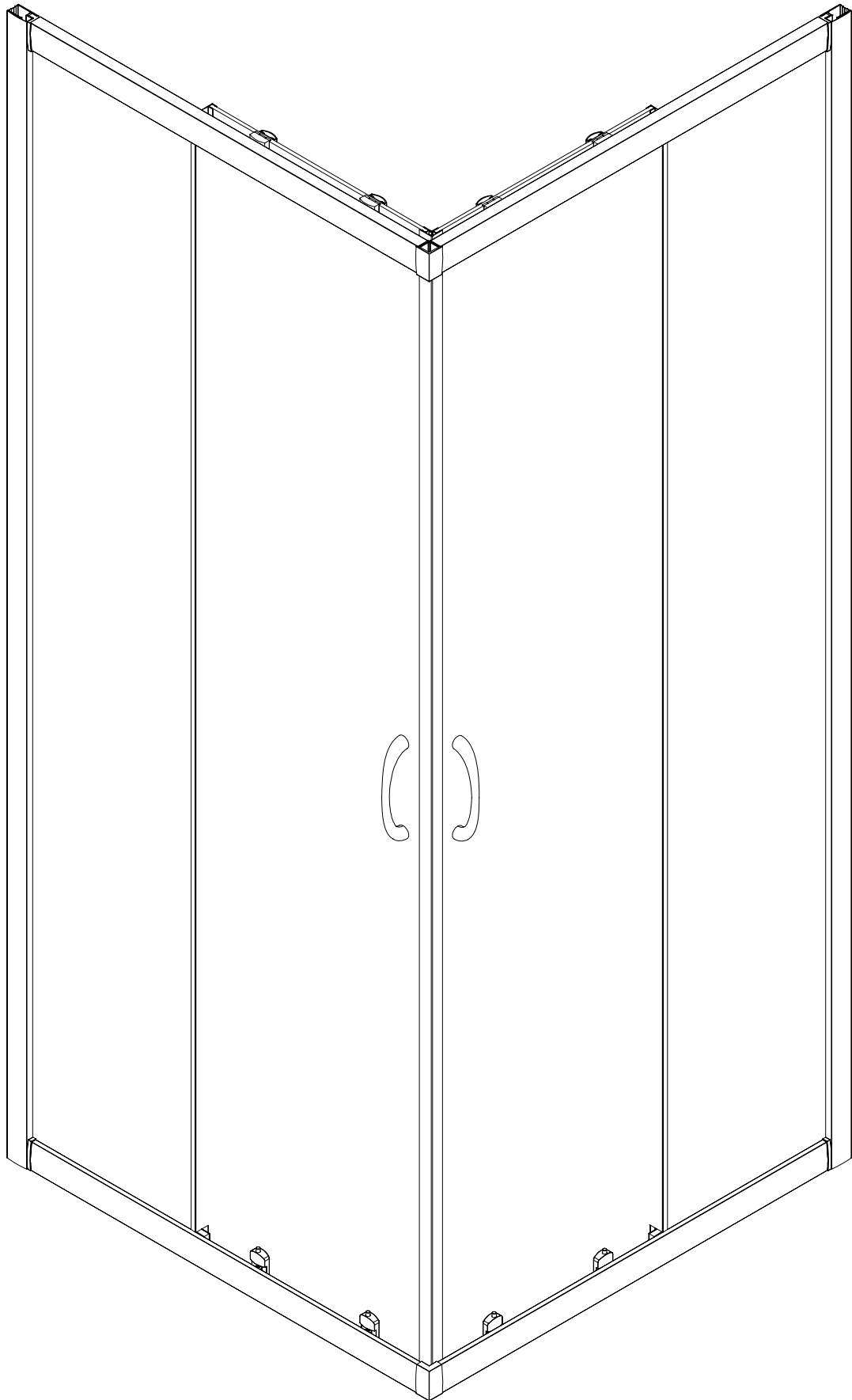


# Installation for Instruction

ITEM NO:LY8105-22

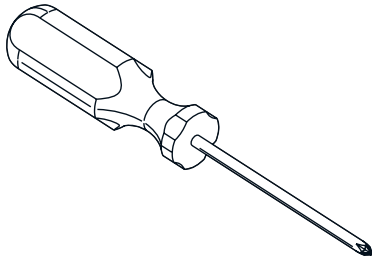


# *Before you start*

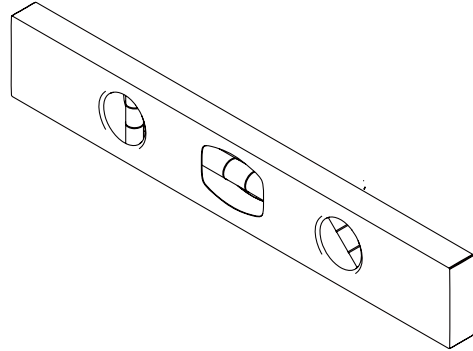
---

## *Required intallation tools*

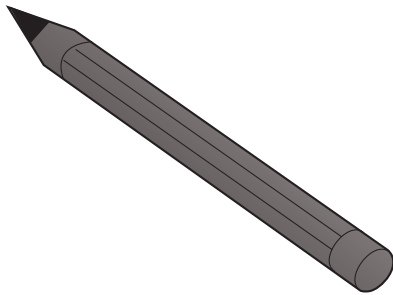
*Not provided*



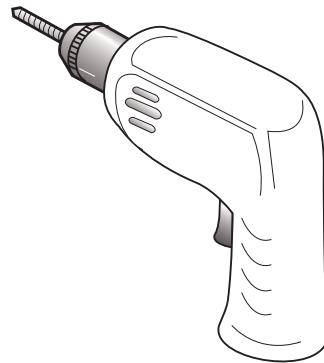
*Phillips screwdriver.*



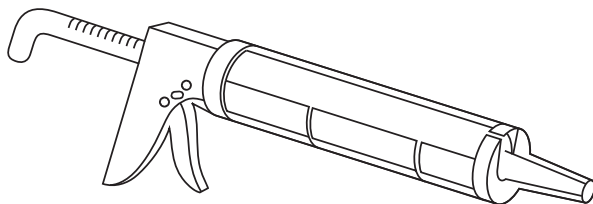
*Level.*



*Pencil.*

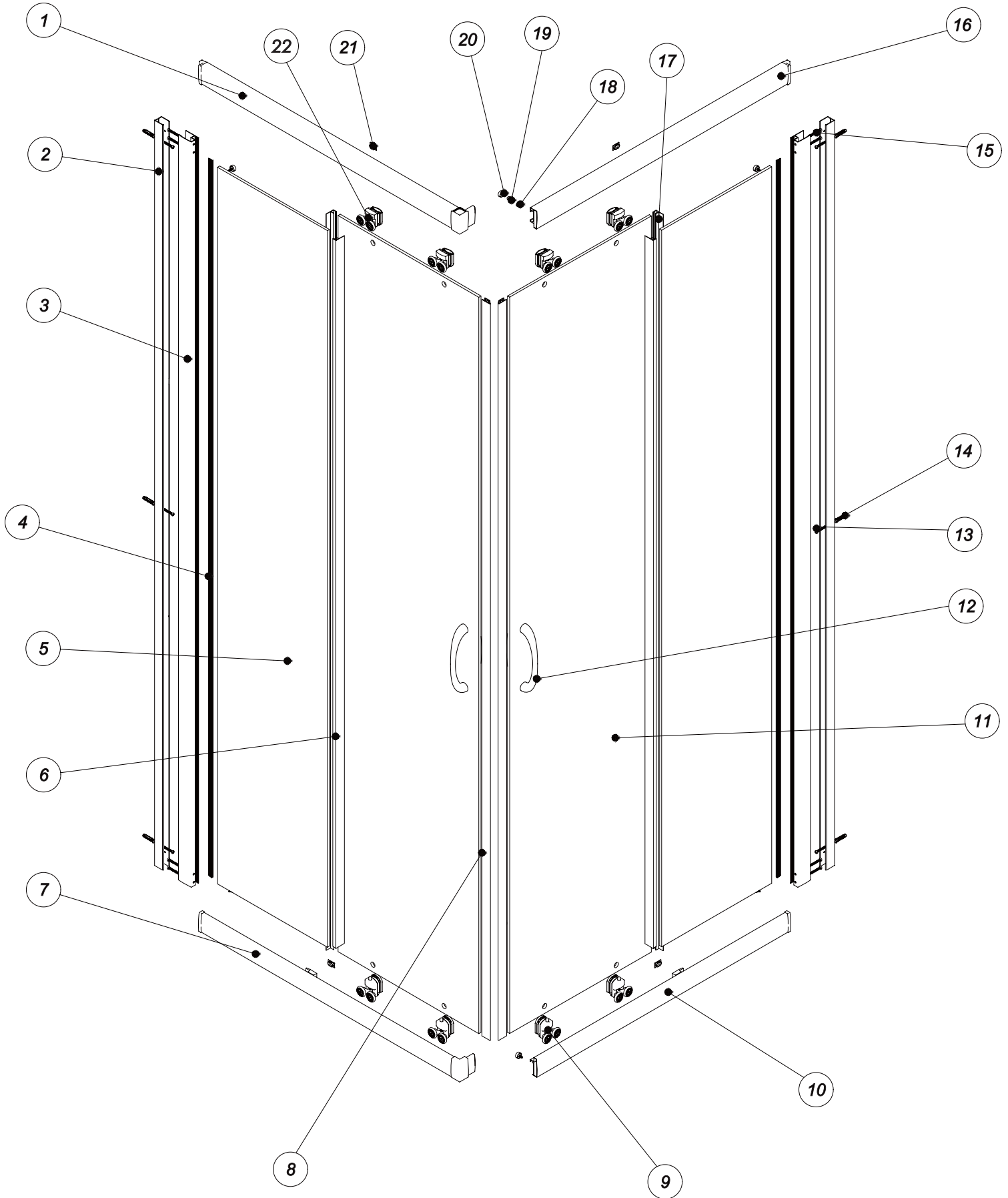


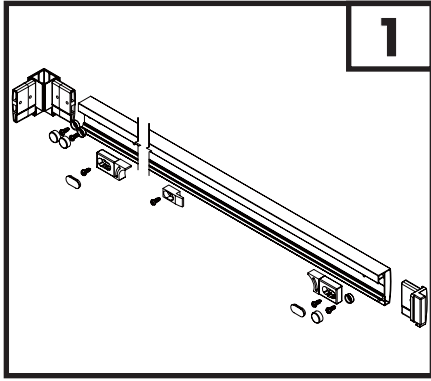
*Drill.*



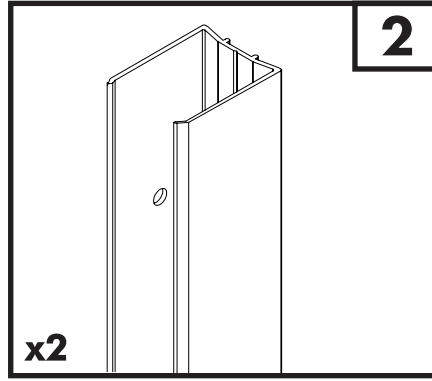
*Caulking gun.*

# Parts list

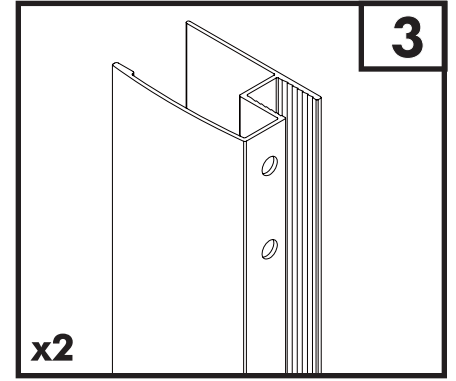




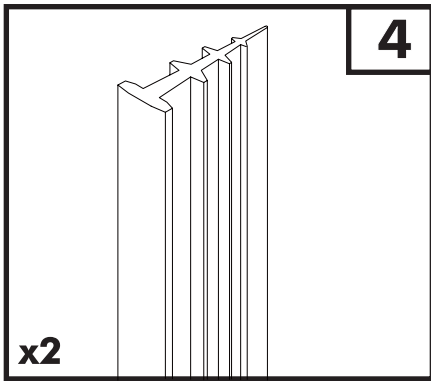
Upper left rail set.



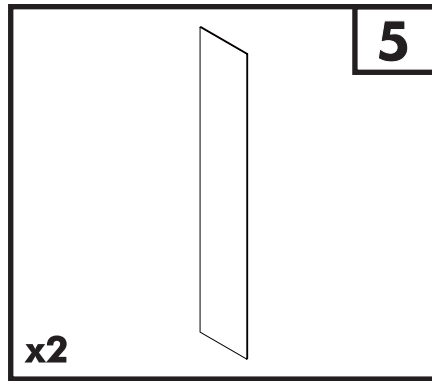
Fixation channel.



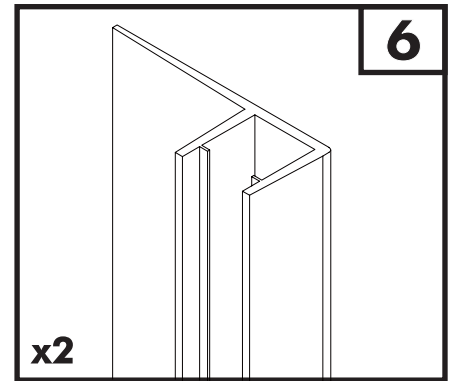
Anodized aluminum profile.



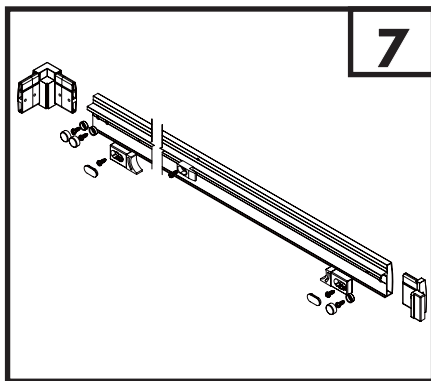
Waterproof silicone seal strip.



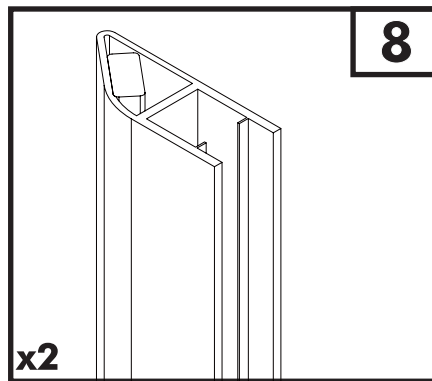
Fixing toughened glass.



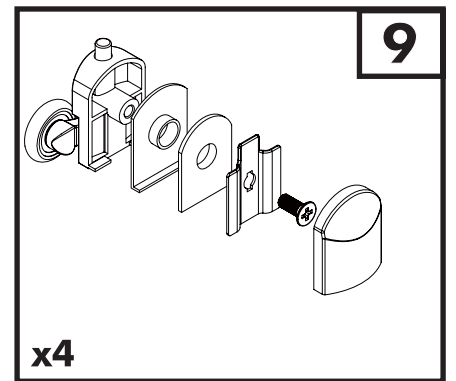
Waterproof silicone seal strip .



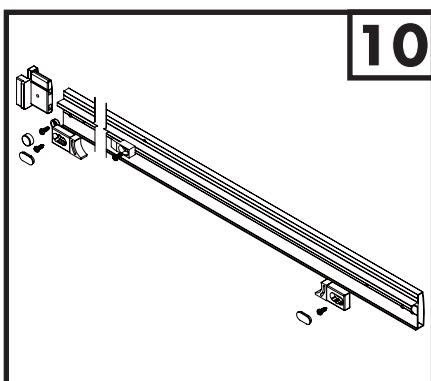
Lower left rail set.



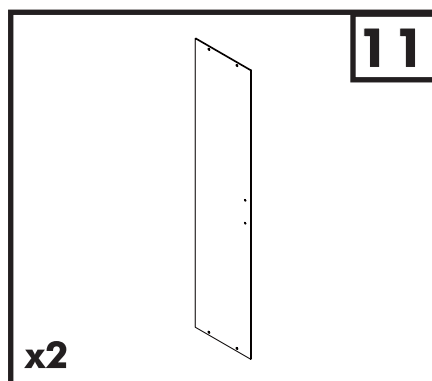
Magnetic silicone bar.



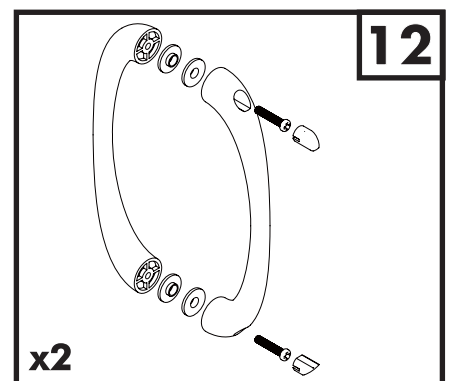
Lower-wheel assembly.



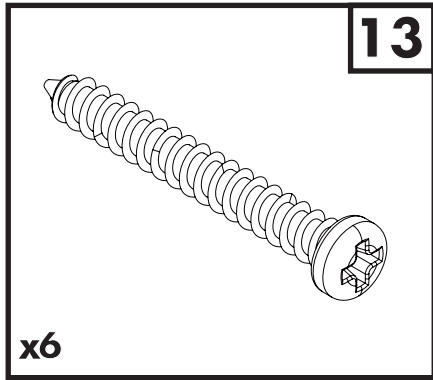
Lower right rail set.



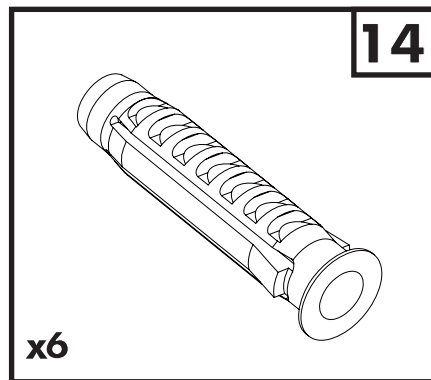
Glass door.



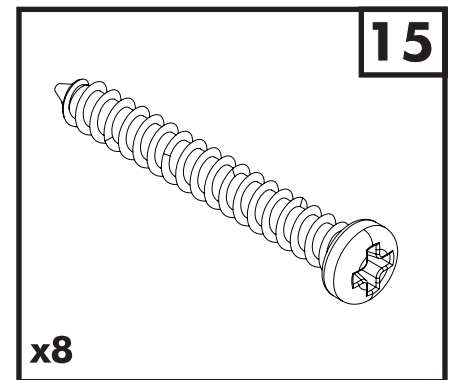
Handle set.



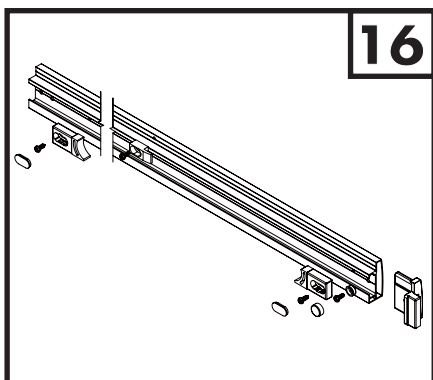
Screw M4x30.



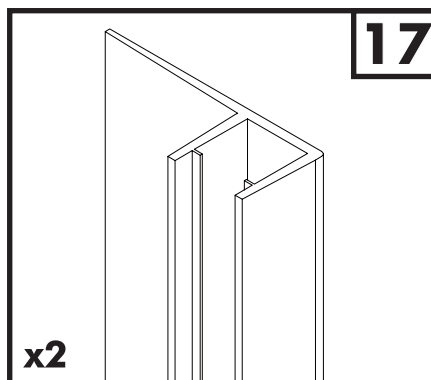
Anchor 6mm.



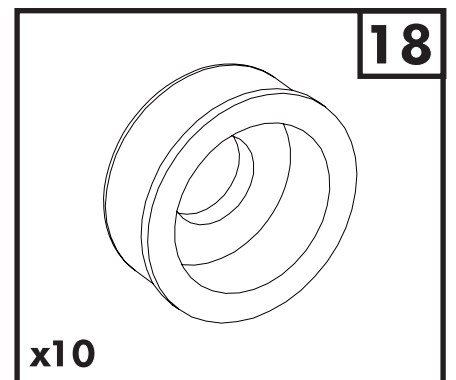
Screw M4x18.



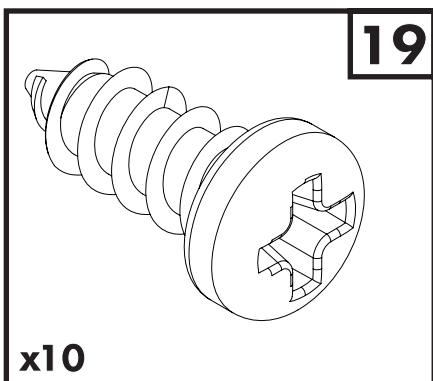
Lower right rail set.



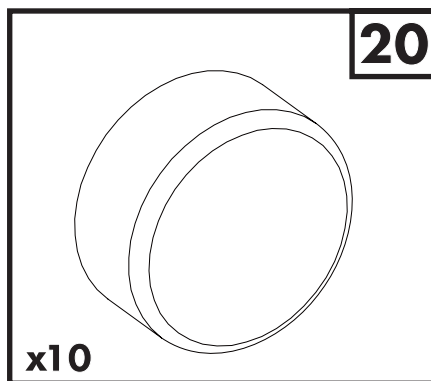
Waterproof silicone seal strip.



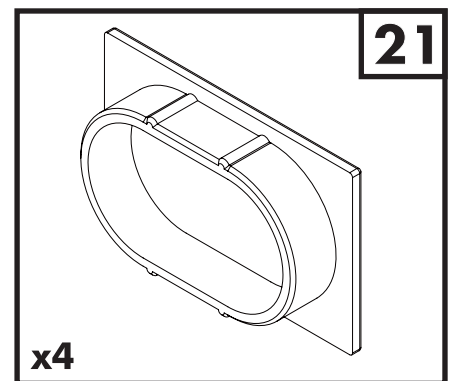
ABS washer.



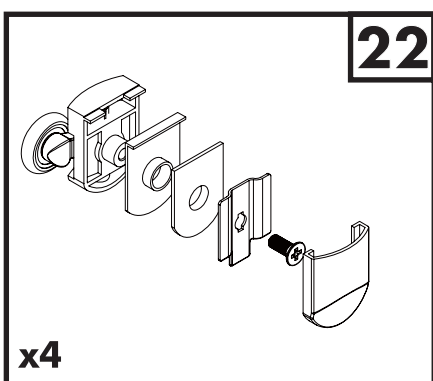
Screw M4x10.



Decorative cover.

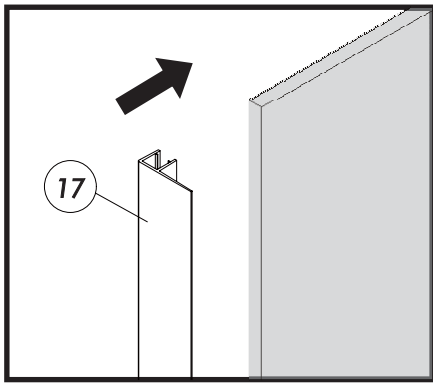


Glass holder cover.

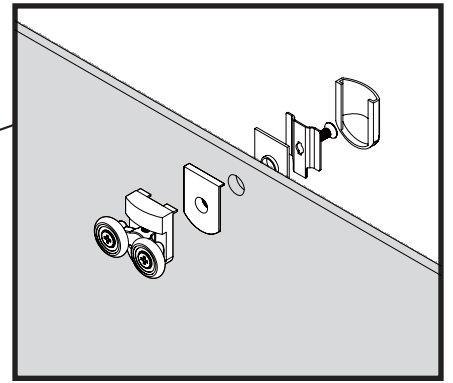


Upper-wheel set.

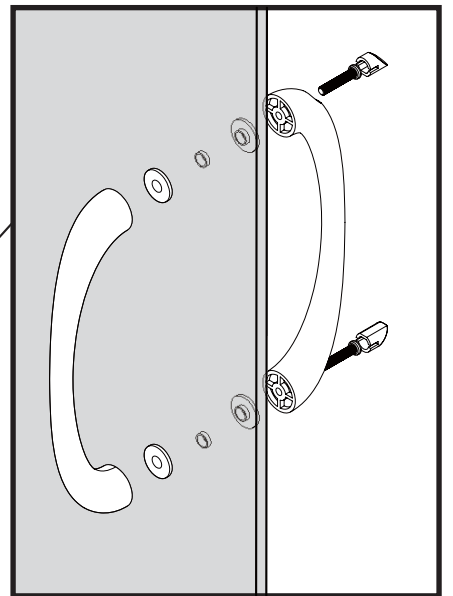
# Door Assembly



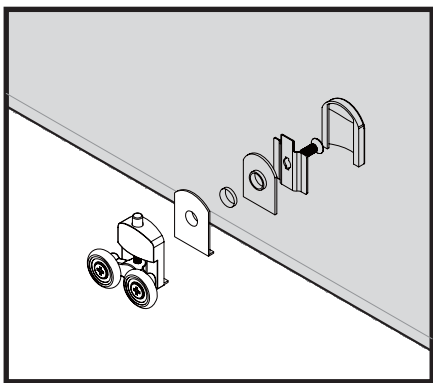
Fix silicone seal strip 17 to the glass.



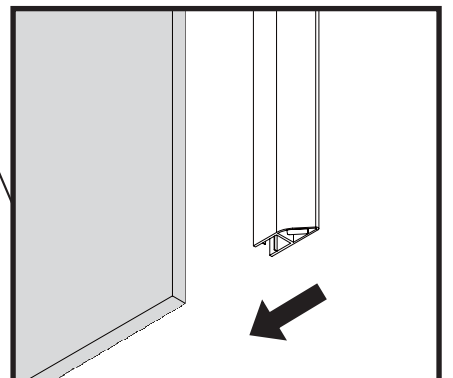
Install the upper wheel set.



Assemble the handle with the screws at the inside of the cabin.

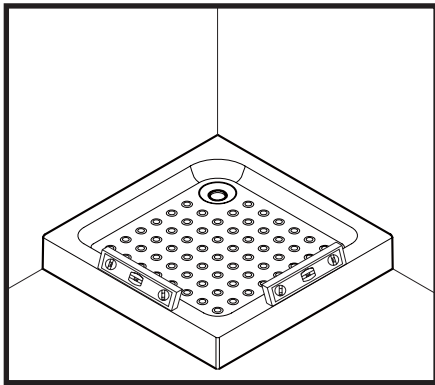


Install the lower wheel set.

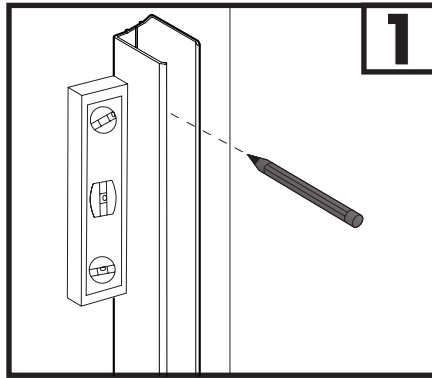


Fix magnetic bar 8 to the handle side.

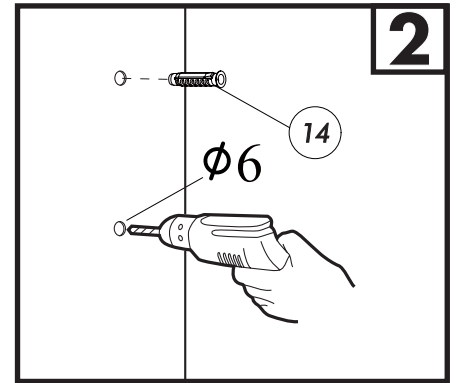
# Assembly



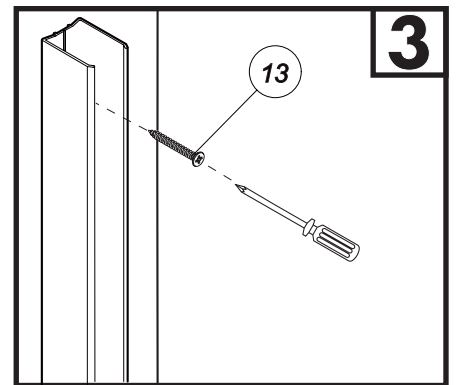
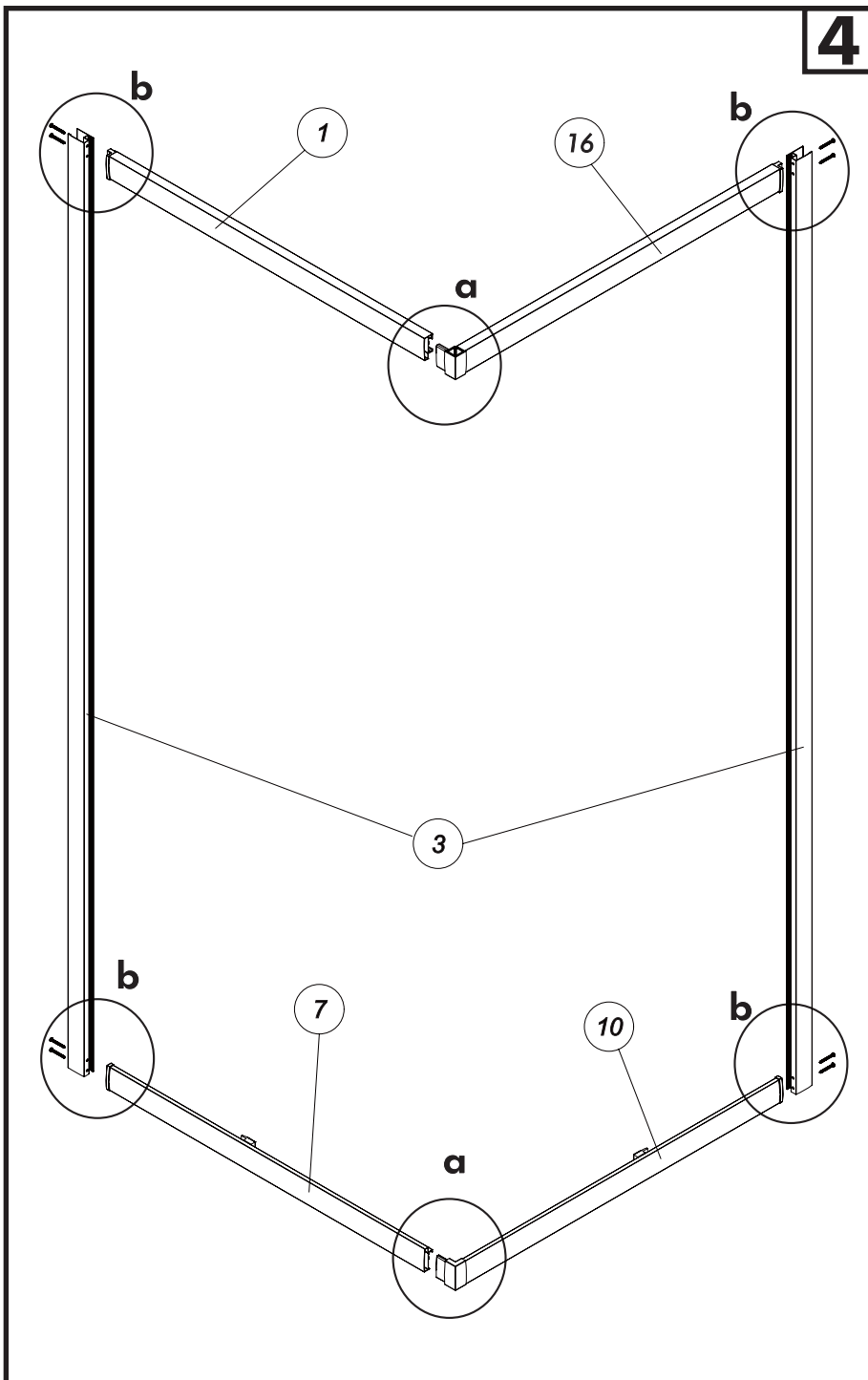
Locate and level the receptacle.  
**(NOT INCLUDED)**



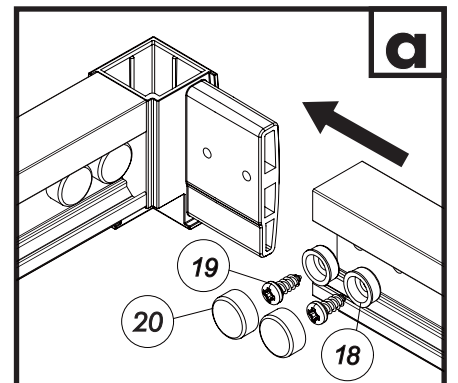
Level the profile 2 and mark the holes for the fixing of the cabin.



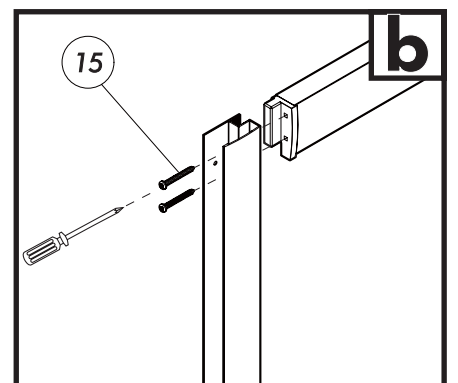
Make the holes and put the anchors.



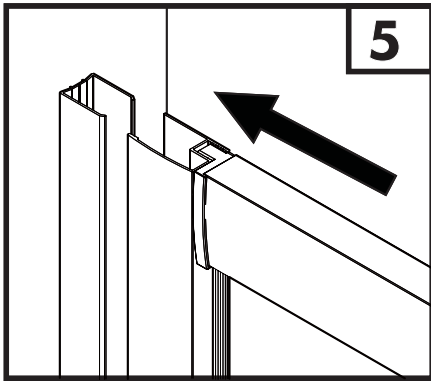
Use M4x30 screw.



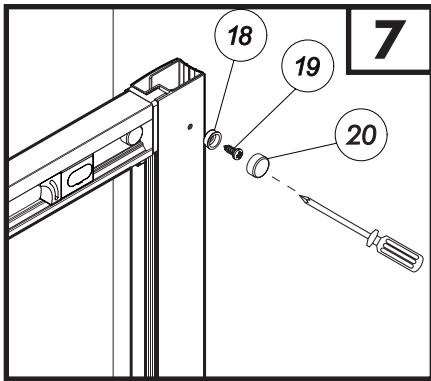
Insert the profile into the corner and fix it with screw.



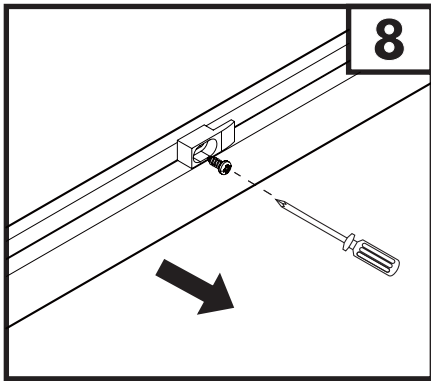
Use M4x18 screw.



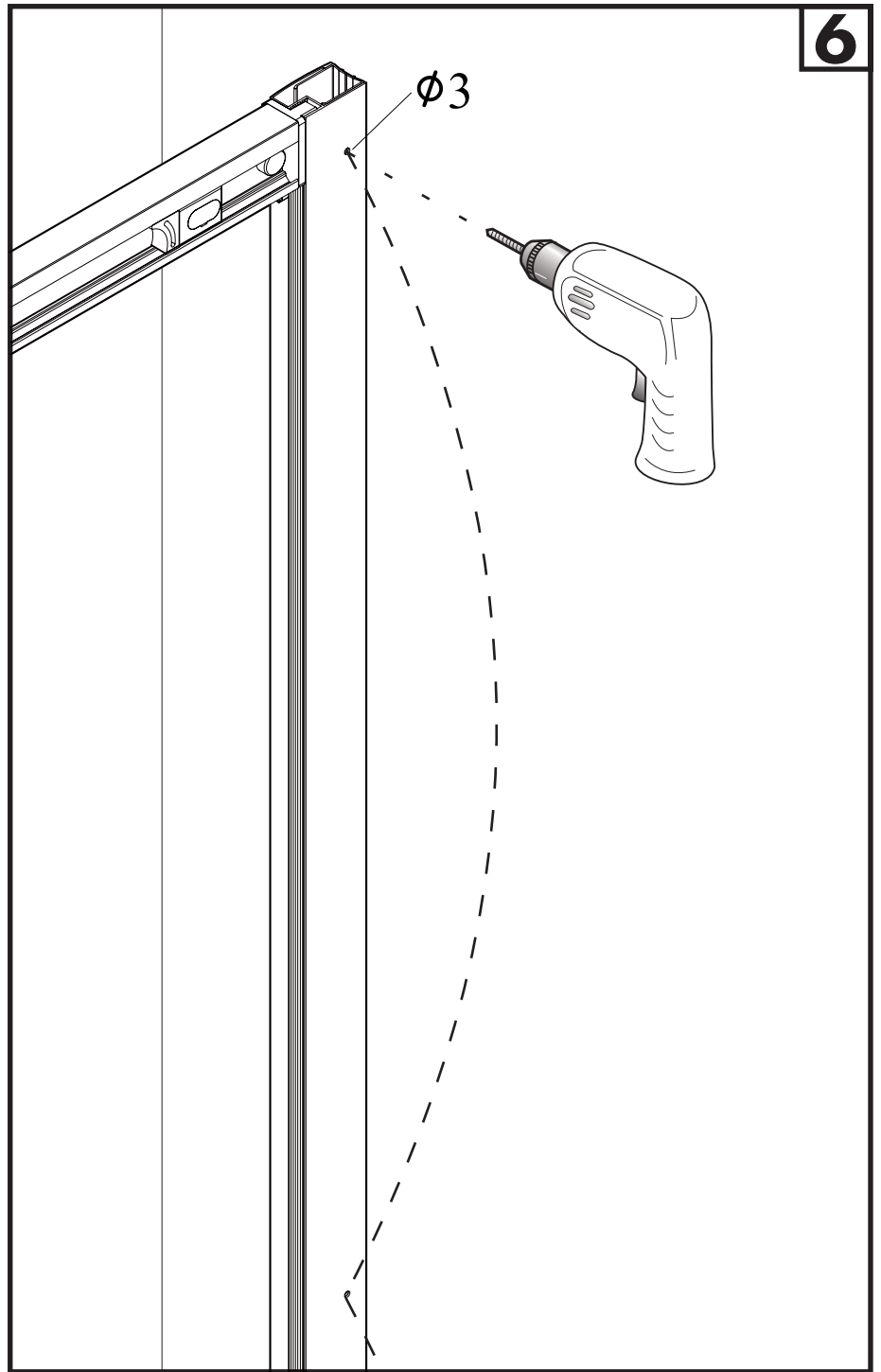
Insert cabin's framework into profile 2 fixed on the wall



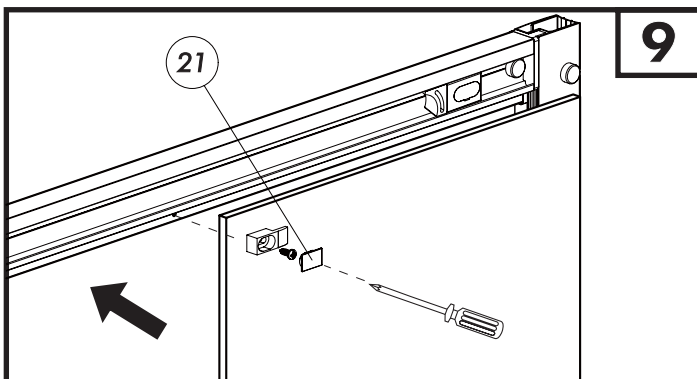
Fix the profiles with the washer 18, screws 19 and decorative cover 20.



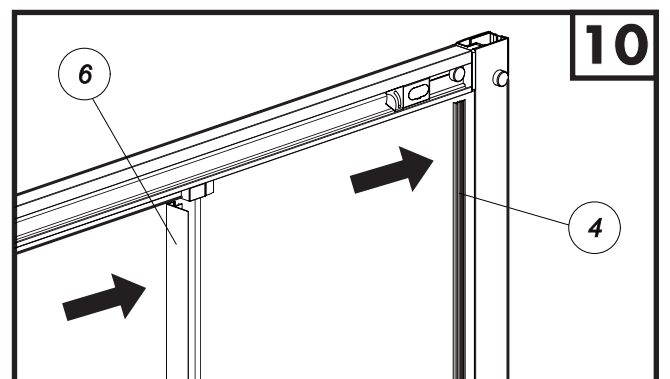
Take off the 4 glass holders.



Drill 3 times each profile couple with the electric drill and 3mm drill bit, using the mesures as reference.

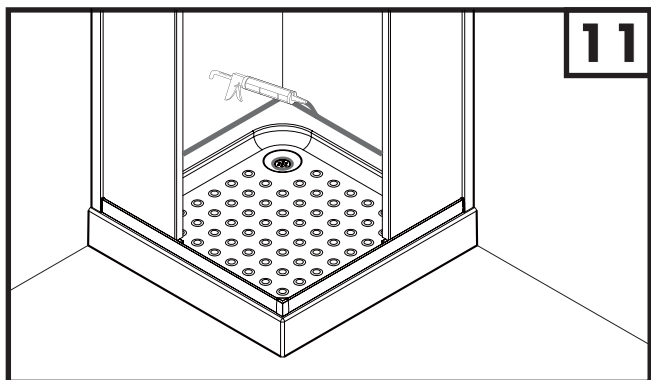


Locate fixing glass on position, fix it with the glass holder and cover 21.

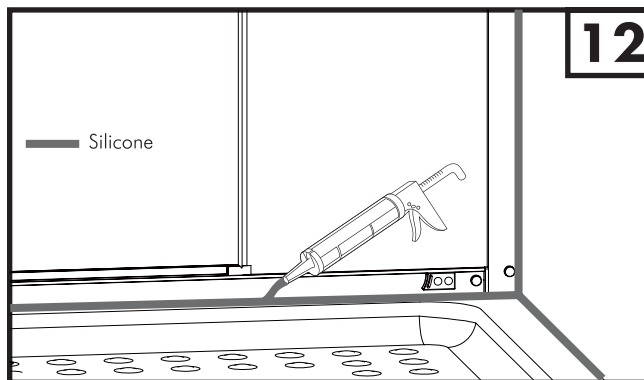


Locate strip seal 4 between fixing glass and profile 3 and the bar 6 on the opposite side.



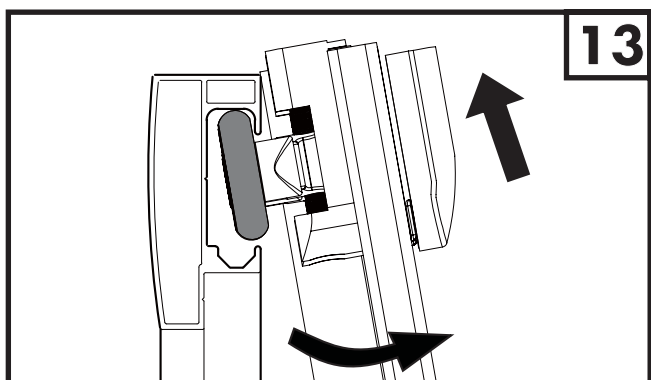


Apply silicone on the receptacle and drain border, filling the gaps within the wall and the receptacle.



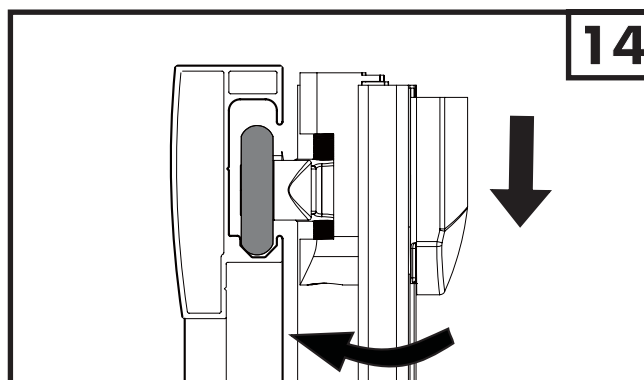
Apply silicone on all borders in contact with the walls and receptacle.

*Let to dry and continue with the door's installation.*



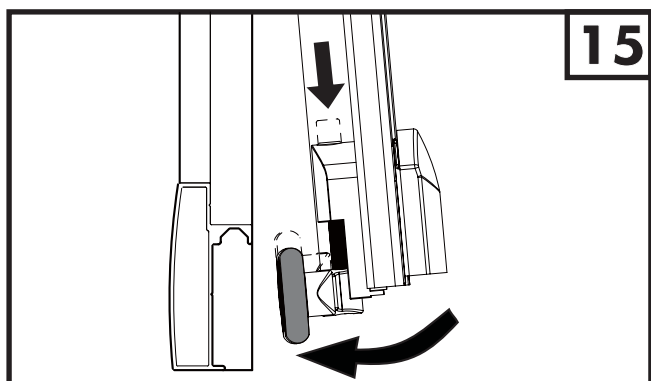
Section view upper rail

Lift and inclinate the glass door as shown in picture of the step 13 and then insert the upper wheels into the upper rail.



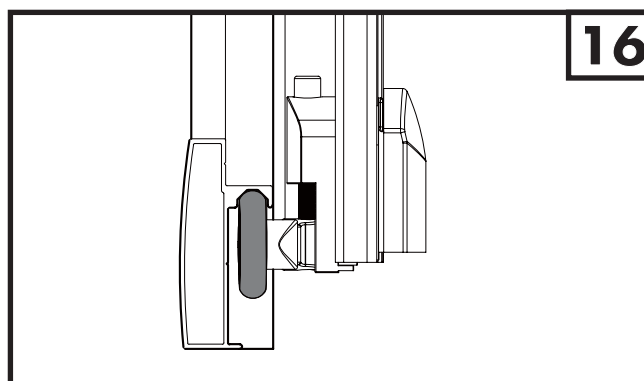
Section view upper rail

Straighten the glass door and get it hangs down slowly. Verify that the all wheel are inside upper rail.



Section view lower rail

Push the button of the lower wheels and locate it into the lower rail.



Section view lower rail

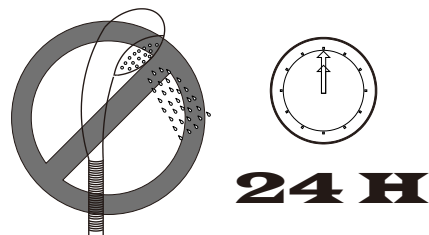
Release the button and verify that the 4 wheels are into the rail.



**Please read this instructions before installation.**

### **Precautions before installation.**

- The shower room should be installed by professionals according to instructions. Otherwise, the shower room may be unstable or fall down which will lead to product broken or people injured.
- Count the object quantity. The glasses must be moved by two people. Put a soft and non-slip object under the glass and stand the glass against a wall smoothly. It will make the glass broken if it is placed in horizontal position. Pay attention to avoid hitting the four corners of the glass.
- Don't strongly knock the glass to avoid being broken.
- Before install the shower room, read the instructions carefully and know well about the tooling and installation sequence.
- It can be used and clean after 24 hour installation.



## Maintenance and repair

- 1、 Don't let children, older people or activity restricted people go into the shower room alone.
- 2、 Don't climb,lean against or hang something heavy on the shower room.
- 3、 Don't be rubbed or knocked by hard object, in case to cause broken.
- 4、 Don't make the burning cigarette near the shower room, and don't leave cigarette ash in the shower room. The burning flame will destroy the spray and glass, so it must keep away from fire.
- 5、 Before entering the shower room, pay attention the height of the falling in order to avoid getting tripped.
- 6、 Before entering the shower room, don't put the hand into the crack of the door,in case any injured occur.
- 7、 The soap suds in the shower room will make people slip very easily, Be careful not to slip.
- 8、 The shower room should be kept in good ventilation, in case to avoid leaving the moisture long stay in the shower room, and cause mildew and bad smell.
- 9、 Regularly clean the sliding rail, sliding wheel and sliding lump, add lubricant (lubricant oil or lubricant wax).
- 10、 Regularly adjust the screw of sliding wheel, sliding lump to make sure the effective load bearing and good sliding position of the moving door.
- 11、 Please use neutral liquid detergent and smooth fabric to clean the shower door. Don't use any acidity, alkaline detergent,thinner, alcohol, acetone and any stronge detergent.
- 12、 When dirty water appear on the water retaining stone, you can wipe it with a little toothpaste by wet fabric.
- 13、 It will be leaking if the glass seal is dropped. So please make it up when dropped.

