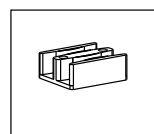
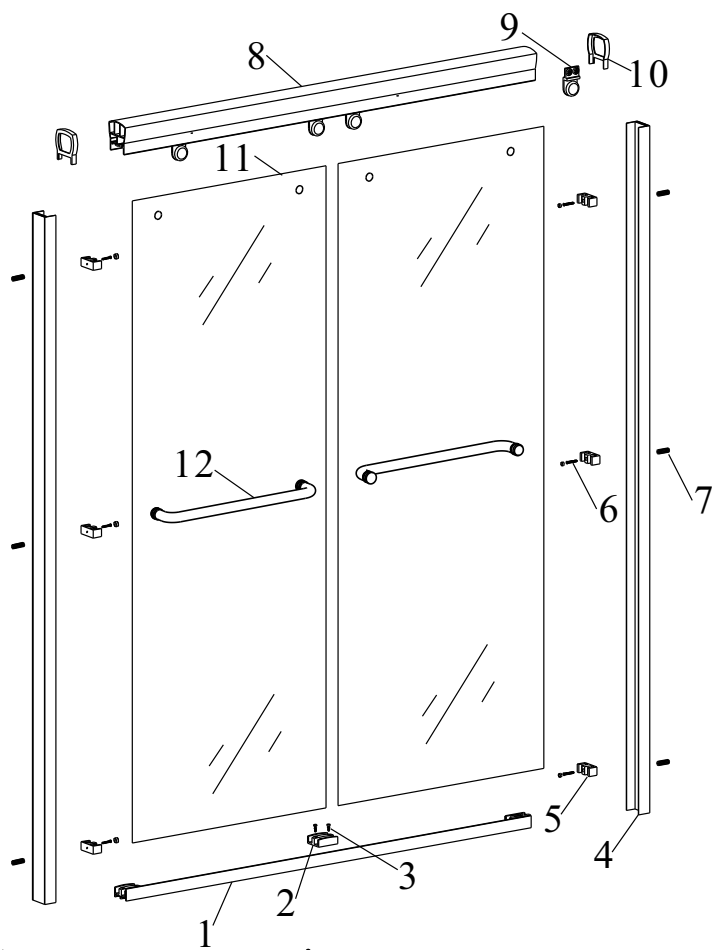
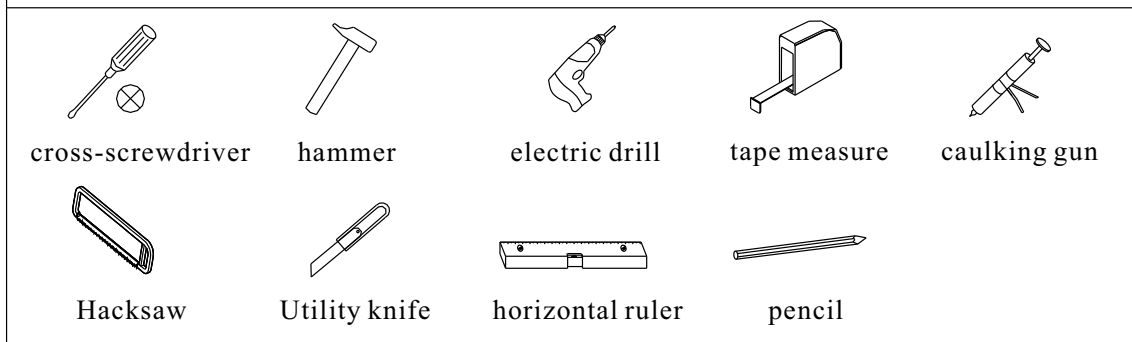


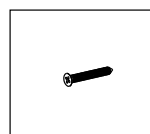
Installation for Instruction

ITEM NO:LY2601-02

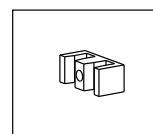
Tools you need



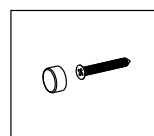
Sliding cover
(3 pcs)



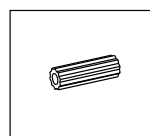
scw M4×12
(6 pcs)



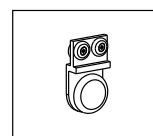
Anti-collision
rubber (6 pcs)



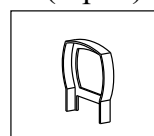
Tapping screw
M4×45
(6 pcs)



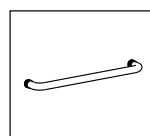
Plastic expansion
glue (6 pcs)



Sliding wheel
(4 pcs)



Decorative
cover(2 pcs)

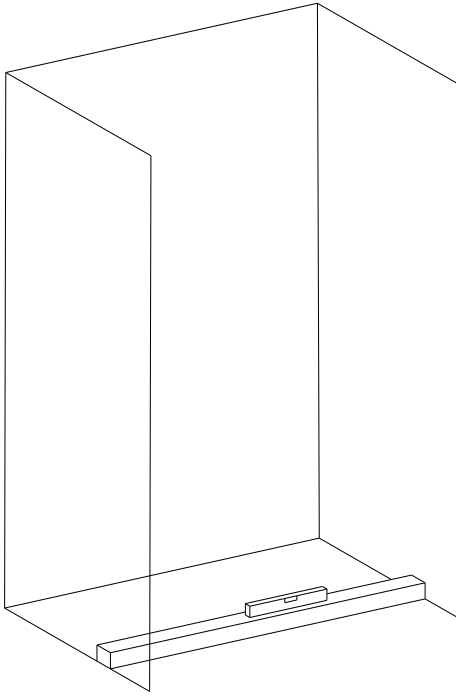


Handle
(2 pcs)

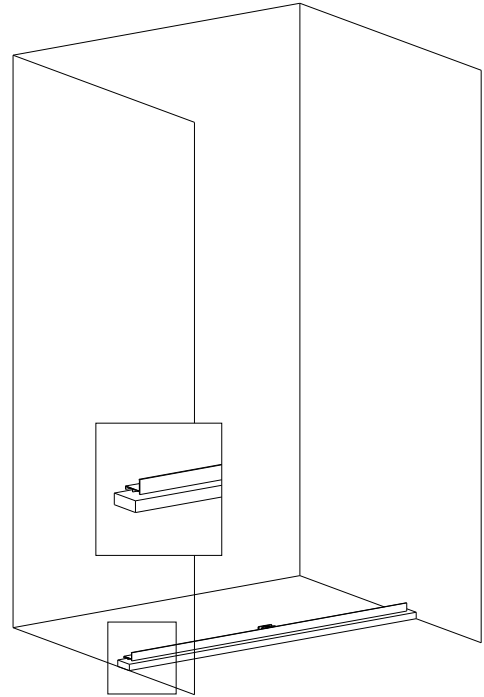
Spare parts List

5	Anti-collision rubber	10	Decorative cover		
4	Side column	9	Sliding wheel		
3	Scw M4×12	8	Up rail		
2	Sliding wheel	7	Plastic expansion screw 6mm	12	Handle
1	Down rail	6	Tapping screw M4×45	11	Movable glass
No.	Description	No.	Description	No.	Description

①

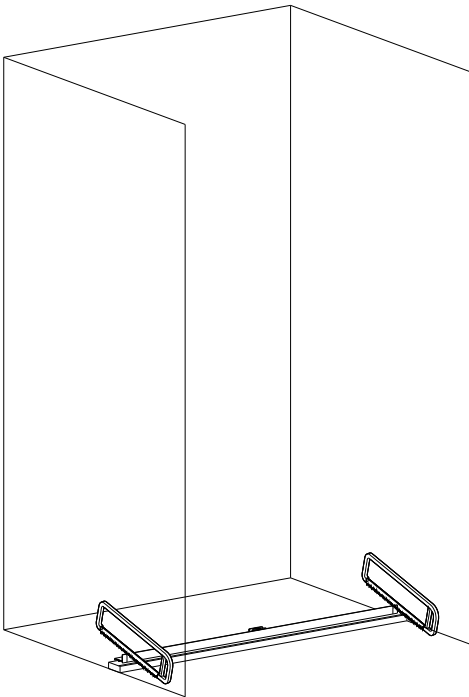


Select the installation position, put the tray or stone base to the position and measure it horizontally by spirit level.

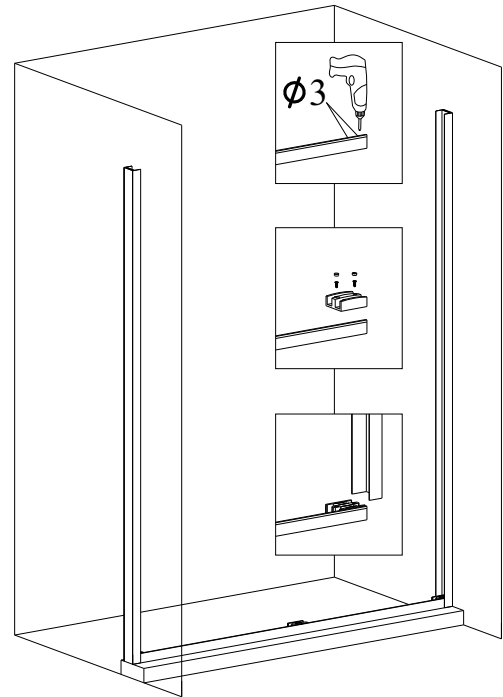


Put the down-rail to the installation position, make sure the down-rail is in the middle position, leave 9mm space at both end to install side column.

②

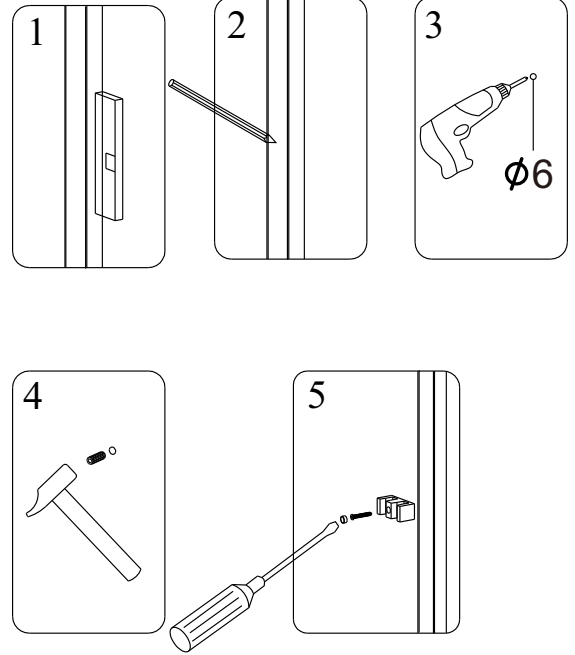
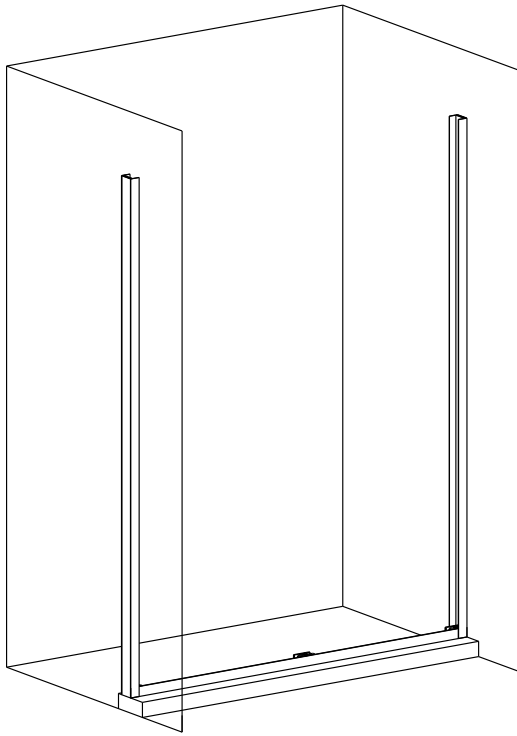


If the down-rail is too long, it's will be saw cutted. Measure and make the cutting part into two same dimensions and cut it smoothly.



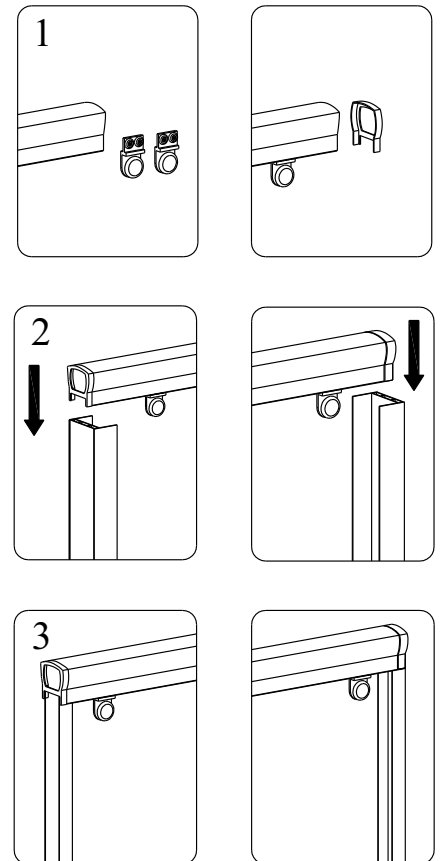
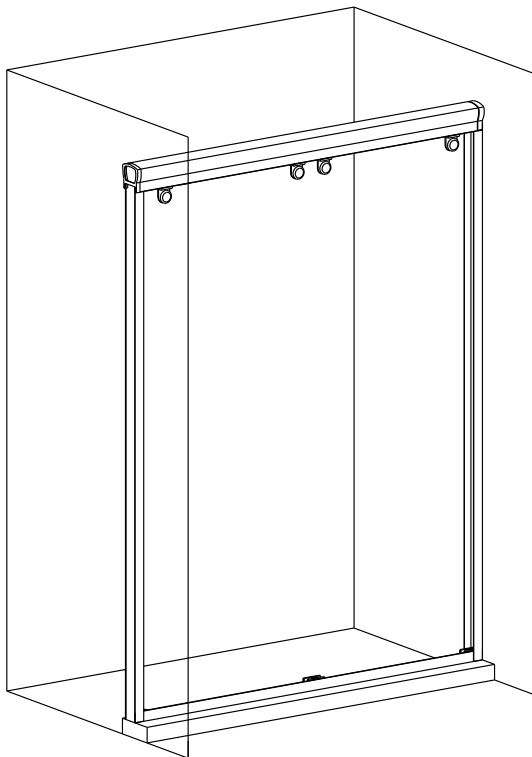
Mark the fixing screw position of the sliding wheel, and drill a hole of $\Phi 3$. Fix the sliding wheel to the down-rail by M4×12 tapping screw, install decorative cover. Insert the side column to the down-rail.

③



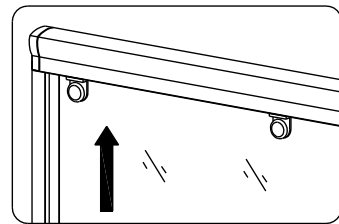
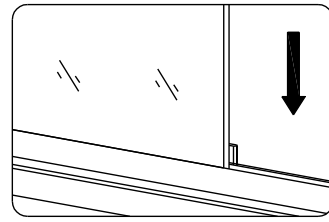
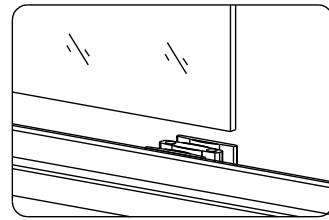
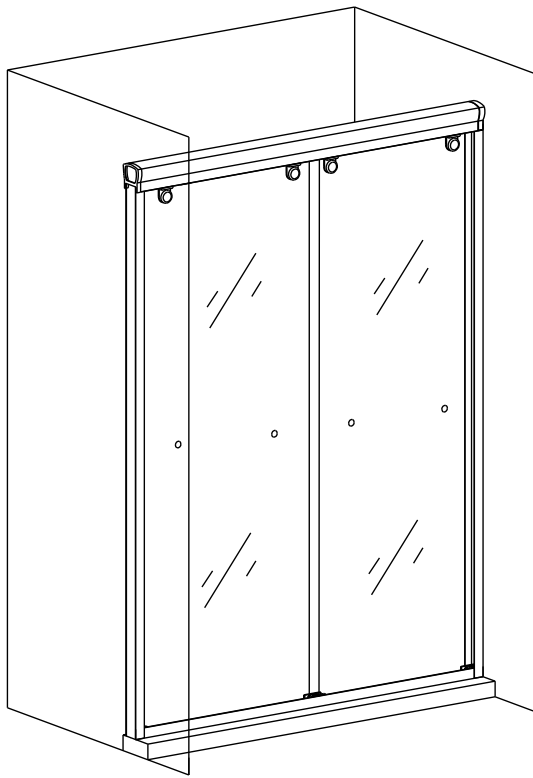
Measure the side column to make it vertically by spirit level, make the fixing screw position, drill a hole of $\phi 6$, strike the plastic inflatable glue through anti-collision rubber and fix the side column to the wall by M4×45 tapping screw.

④



1. Install the sliding wheel to the upper rail, assemble with plastic decorative cover.
2. Install the upper rail to the side colume.
3. Adjust the length of both end of the upper and down sliding rail, make the right and left the side colume the same length.

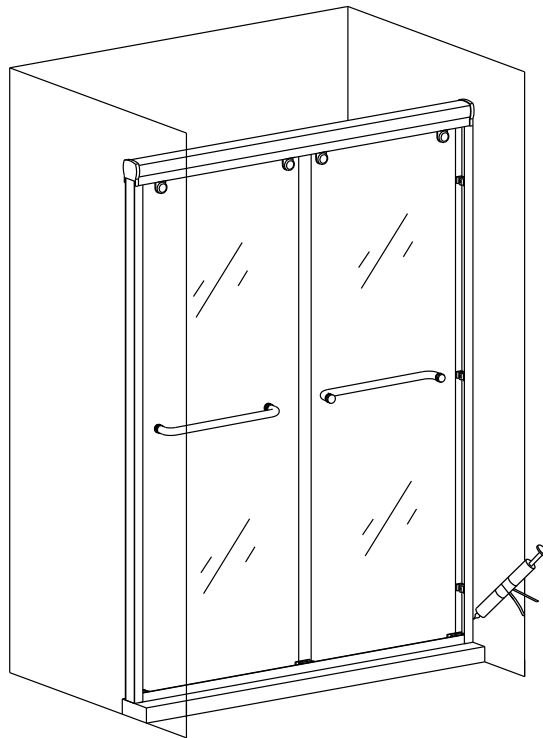
5



Take out the outer sliding glass, insert its bottom to the outer groove of the sliding wheel, then raise the glass to the fixing position of sliding wheel, fix the glass.

Attention: The safety membrane is stucked at the inside of the glass.

6



Install the handle of the movable door. Attention to the direction of the handle. Make sure the outside handle rod is out, and the inside handle rod is in.

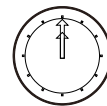
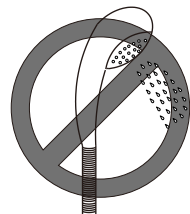
Adjust the discretion of the sliding rail to make sure both sliding glass door in good closing. Finall seal the glass glue around the shower room. It can be used in 24 hours.



Please read this instructions before installation.

Precautions before installation.

- The shower room should be installed by professionals according to instructions. Otherwise, the shower room may be unstable or fall down which will lead to product broken or people injured.
- Count the object quantity. The glasses must be moved by two people. Put a soft and non-slip object under the glass and stand the glass against a wall smoothly. It will make the glass broken if it is placed in horizontal position. Pay attention to avoid hitting the four corners of the glass.
- Don't strongly knock the glass to avoid being broken.
- Before install the shower room, read the instructions carefully and know well about the tooling and installation sequence.
- It can be used and clean after 24 hour installation.



24 H

Maintenance and repair

- 1、 Don't let children, older people or activity restricted people go into the shower room alone.
- 2、 Don't climb,lean against or hang something heavy on the shower room.
- 3、 Don't be rubbed or knocked by hard object, in case to cause broken.
- 4、 Don't make the burning cigarette near the shower room, and don't leave cigarette ash in the shower room. The burning flame will destroy the spray and glass, so it must keep away from fire.
- 5、 Before entering the shower room, pay attention the height of the falling in order to avoid getting tripped.
- 6、 Before entering the shower room, don't put the hand into the crack of the door,in case any injured occur.
- 7、 The soap suds in the shower room will make people slip very easily, Be careful not to slip.
- 8、 The shower room should be kept in good ventilation, in case to avoid leaving the moisture long stay in the shower room, and cause mildew and bad smell.
- 9、 Regularly clean the sliding rail, sliding wheel and sliding lump, add lubricant (lubricant oil or lubricant wax).
- 10、 Regularly adjust the screw of sliding wheel, sliding lump to make sure the effective load bearing and good sliding position of the moving door.
- 11、 Please use neutral liquid detergent and smooth fabric to clean the shower door. Don't use any acidity, alkaline detergent,thinner, alcohol, acetone and any stronge detergent.
- 12、 When dirty water appear on the water retaining stone, you can wipe it with a little toothpaste by wet fabric.
- 13、 It will be leaking if the glass seal is dropped. So please make it up when dropped.

