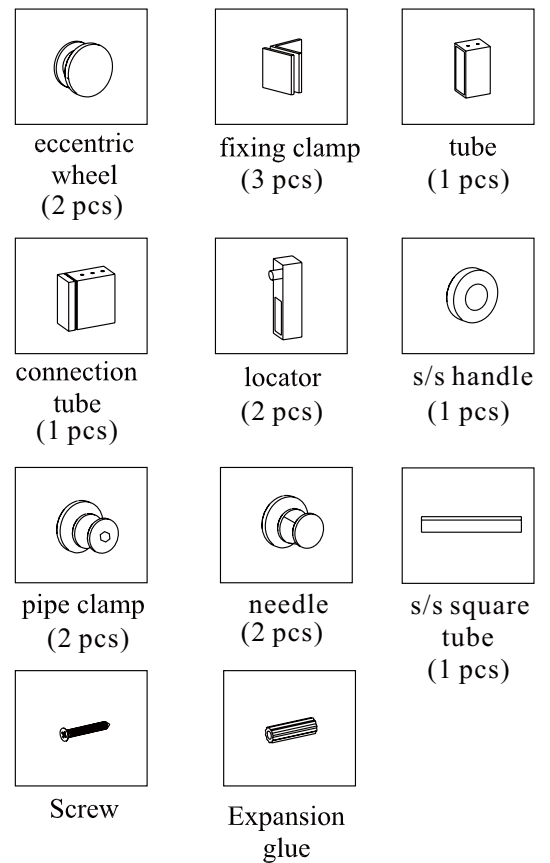
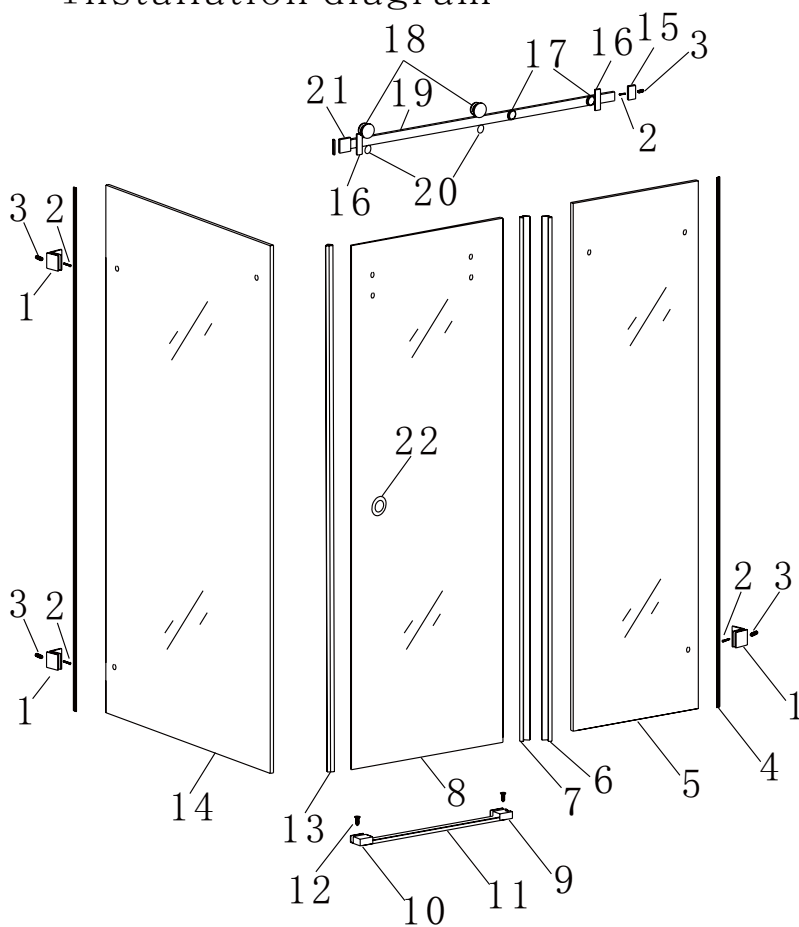


# Installation for Instruction

ITEM NO:LY9205-21



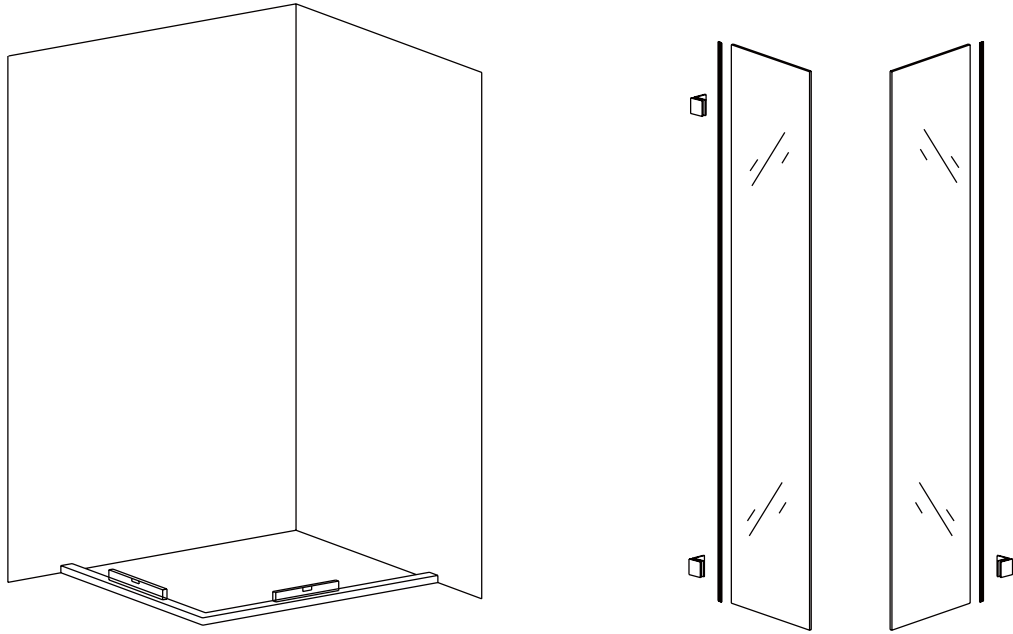
## Installation diagram



## Spare parts List

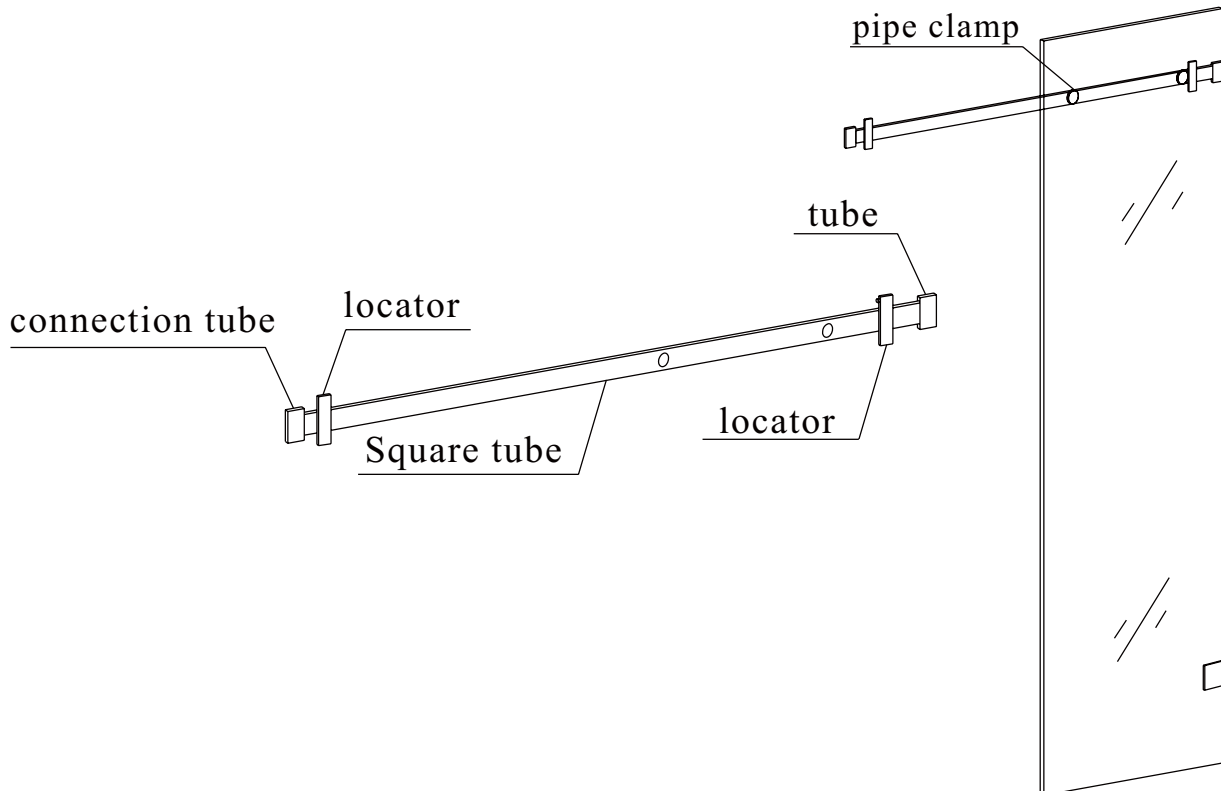
8	Movable glass	16	locator		
7	Water bar	15	tube		
6	Water bar	14	big fixing glass	22	s/s handle
5	fixing glass	13	bubble rubber	21	connection tube
4	bubble rubber	12	Flat tapping screw M4 30	20	needle
3	Inflatable glue 8mm	11	Waterproof bar	19	s/s square tube
2	Tapping screw M5 30	10	Right sliding cover	18	eccentric wheel
1	fixing clamp 45 45mm	9	Left sliding cover	17	pipe clamp
No.	Description	No.	Description	No.	Description

①



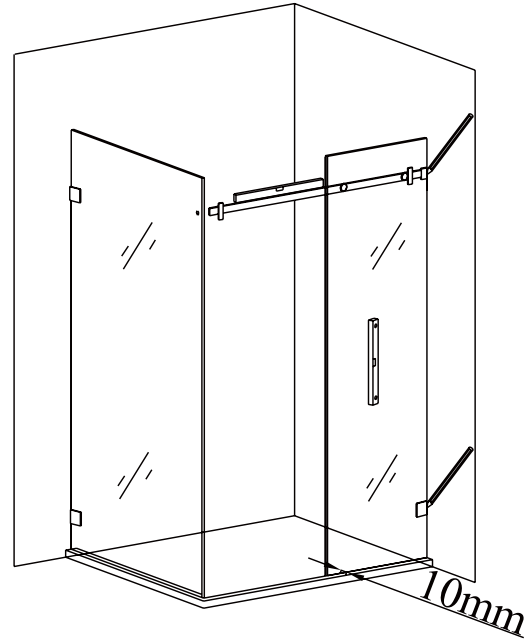
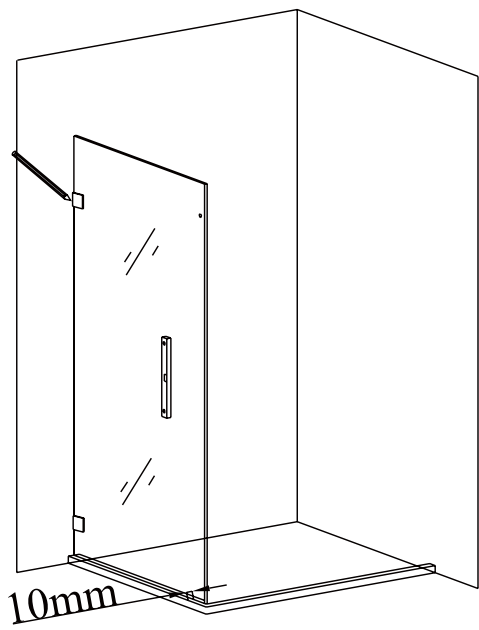
1. Select the installation position, put the base stone or tray to the position and measure it vertically by spirit level.
2. Assemble the accessories and glass, bubble rubber bar and fixing clamp on the fixing glass.

②



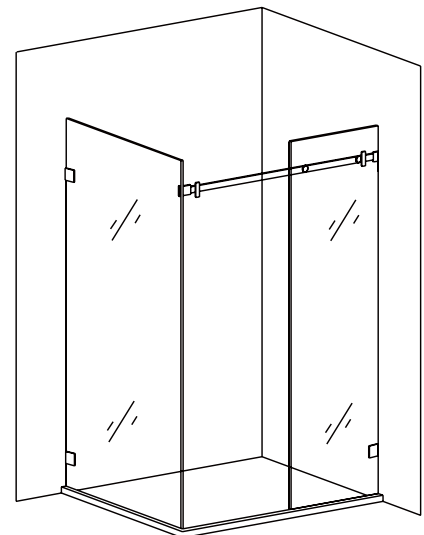
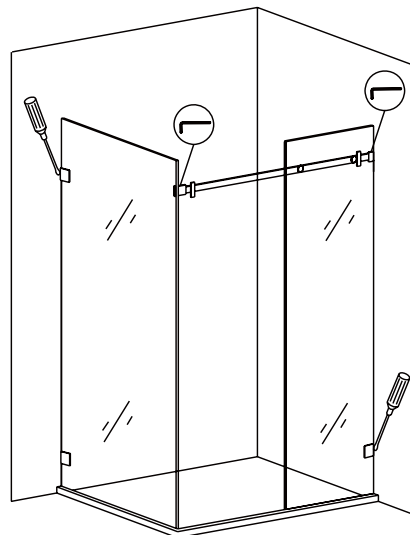
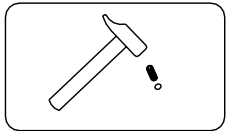
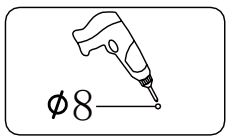
1. Install the rubber rail.
2. Put the movable glass onto the sliding wheel, and install the upper rail.

③



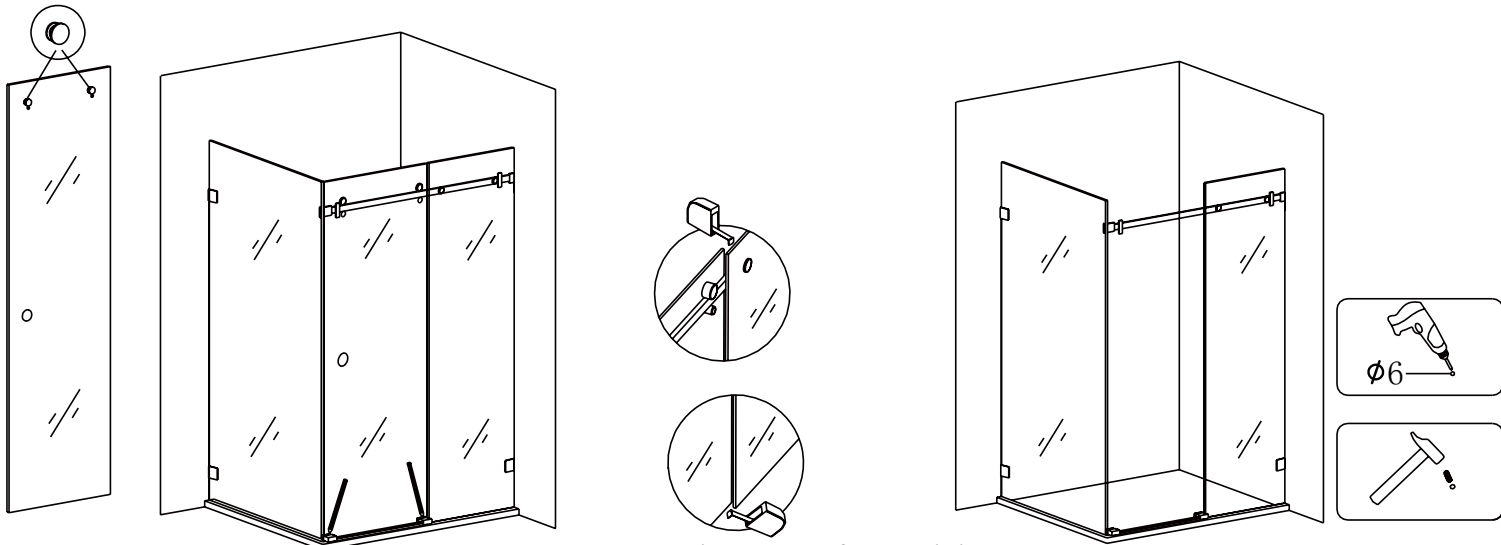
1. Put the fixing glass on the base stone. The distance between them is 10 mm. Make them vertically by spirit level, marked by pencil, then take off the fixing glass.

④



1. drill a hole by a  $\varnothing 8$  driller on the marked position, and insert with inflatable rubber.
2. Put the fixing glass on the base stone, make it vertically. Locked the fixing clamp tight with tapping screw M5 30, and the tube is locked by flat tapping screw M5 30.
3. Put the big fixing glass to the connection tube, and locked with square tube.
4. Assemble the small fixing glass to the water bar.

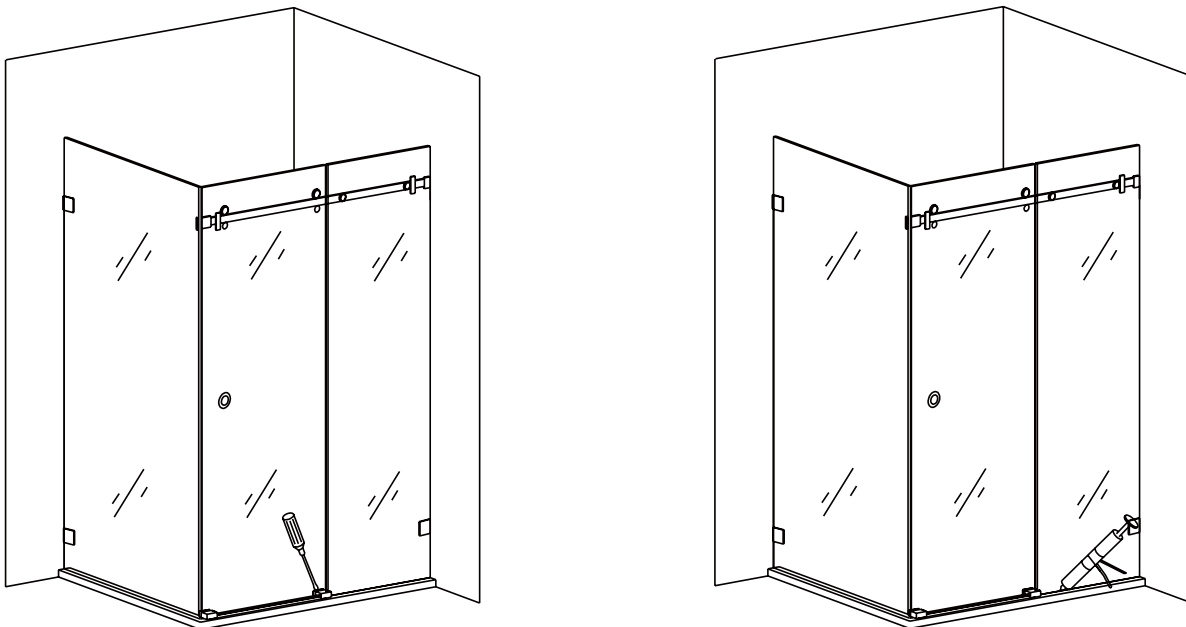
5



Measure the space of up and down,  
make the spaces is the same.

1. Put the movable glass onto the sliding wheel, and install the upper rail.
2. Put two plastic sliding cover and movable glass onto the base stone. Measure the space between the movable glass and fixing glass, make them vertically. Mark the sliding cover position by pencil, take off movable glass and sliding cover, then drill a hole by a  $\phi 6$  driller and insert with inflatable rubber.

6



1. Put the waterproof bar on the base stone, locked it tight with flate tapping screw M4 30.
2. Put the movable glass onto the upper rail, adjust the balance of wheel. Assemble with needle, bubble rubber and waterproof rubber.
3. Sealed with glass glue around the shower room. It can be used in 24 hours.