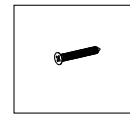
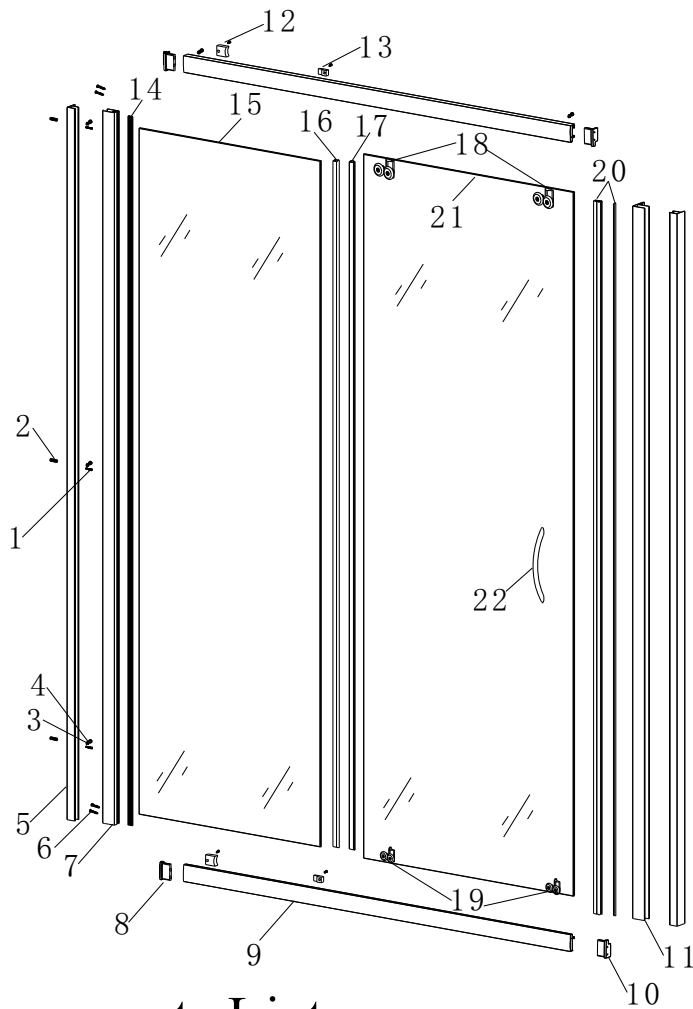
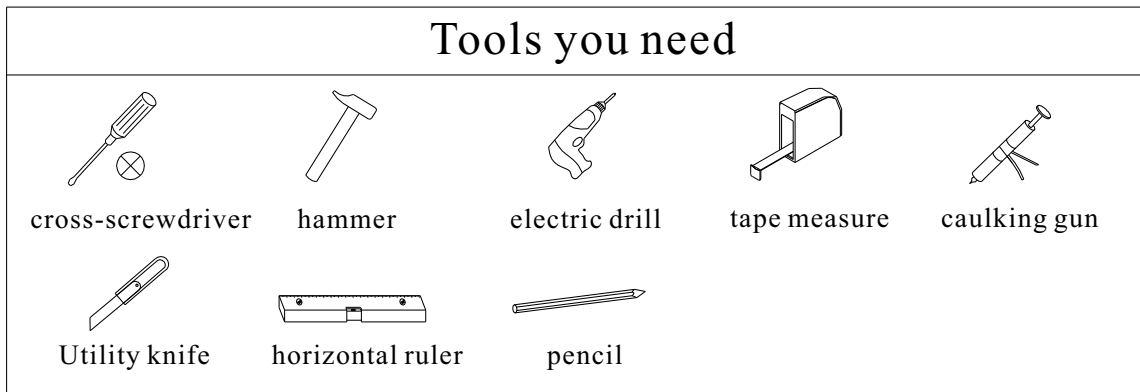


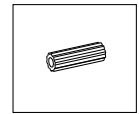
Installation for Instruction

ITEM NO:LY8101-11

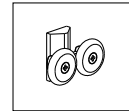
Tools you need



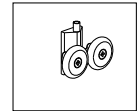
Screw



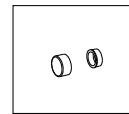
Expansion glue



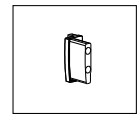
Up-wheel



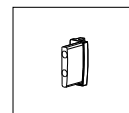
Down-wheel



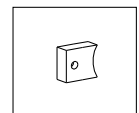
A.B decorative cover



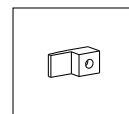
Left plastic connector



Right plastic connector



Anti-collision rubber



Plastic clamp

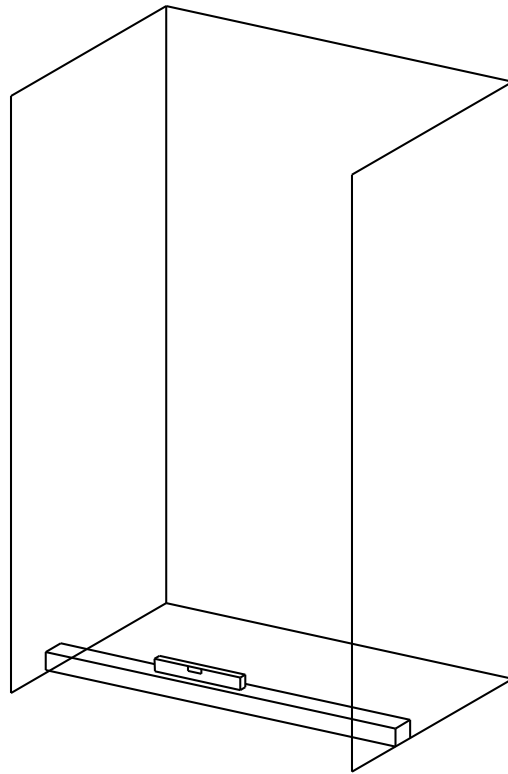


Plastic handle

Spare parts List

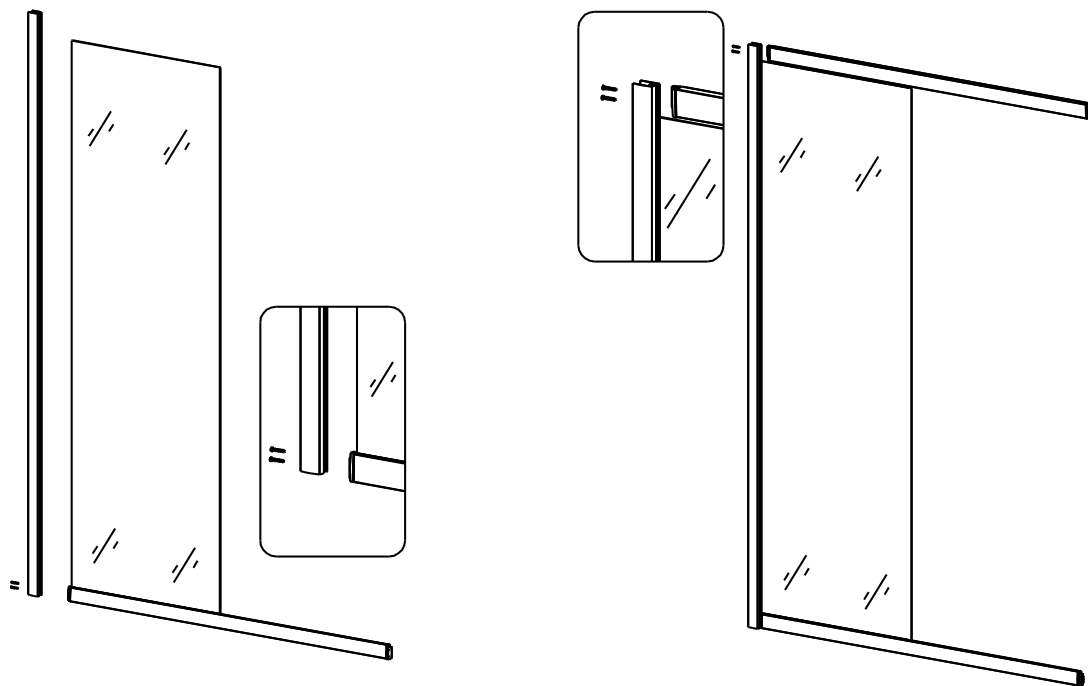
8	Left plastic connector	16	Plastic waterproof bar		
7	Aluminum material_Column material	15	Toughened fixing glass		
6	Tapping screw M4×16	14	Single side rubber	22	Plastic handle
5	Aluminum material_Wall stick material	13	Plastic clamp	21	Toughened movable glass
4	Tapping screw M4×10	12	Anti-collision rubber	20	Plastic Magnetic stripe
3	A.B decorative cover	11	Aluminum material_Magnetic column	19	Down-wheel
2	Inflatable glue 6mm	10	Right plastic connector	18	Up-wheel
1	Tapping screw M4×30	9	Aluminum material_Rail	17	Plastic waterproof bar
No.	Description	No.	Description	No.	Description

①



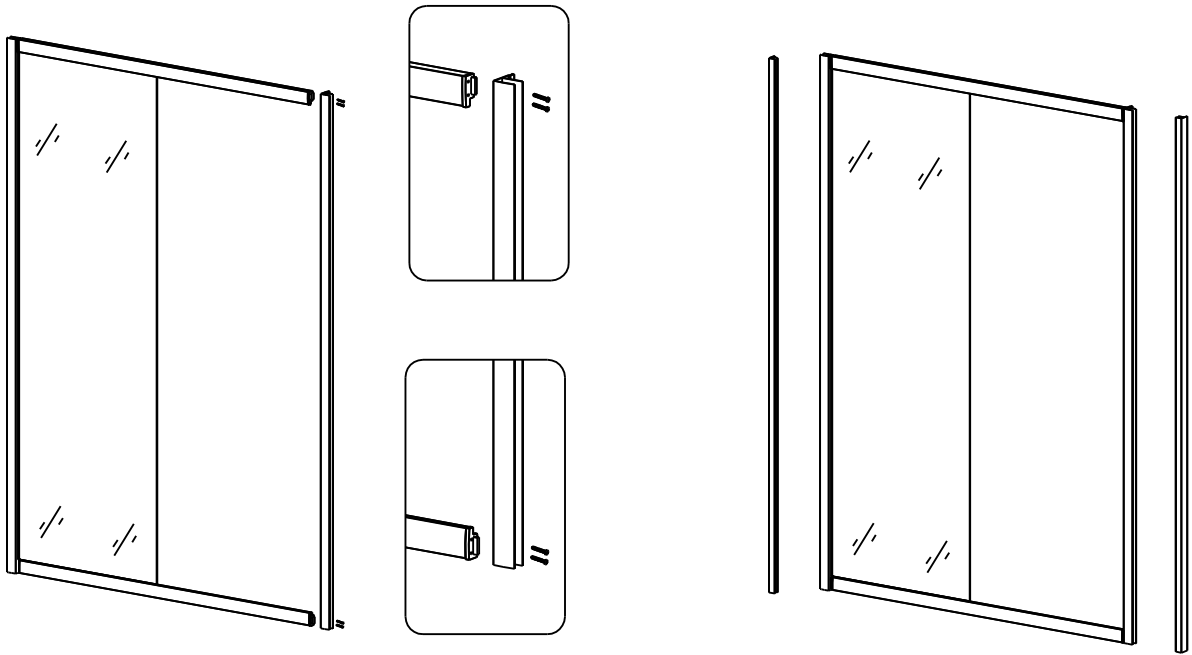
Select the installation position, put the tray or base stone to the position and measure it vertically by spirit level.

②



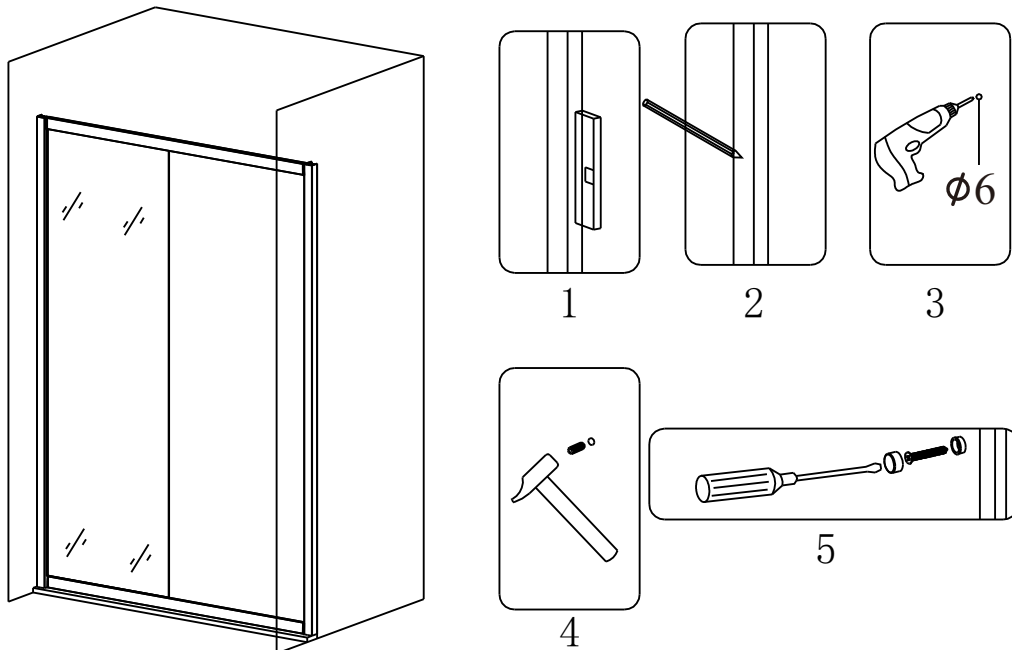
Put the fixing glass to the rail.
Connect the column and rail by tapping screw M4×16.

③



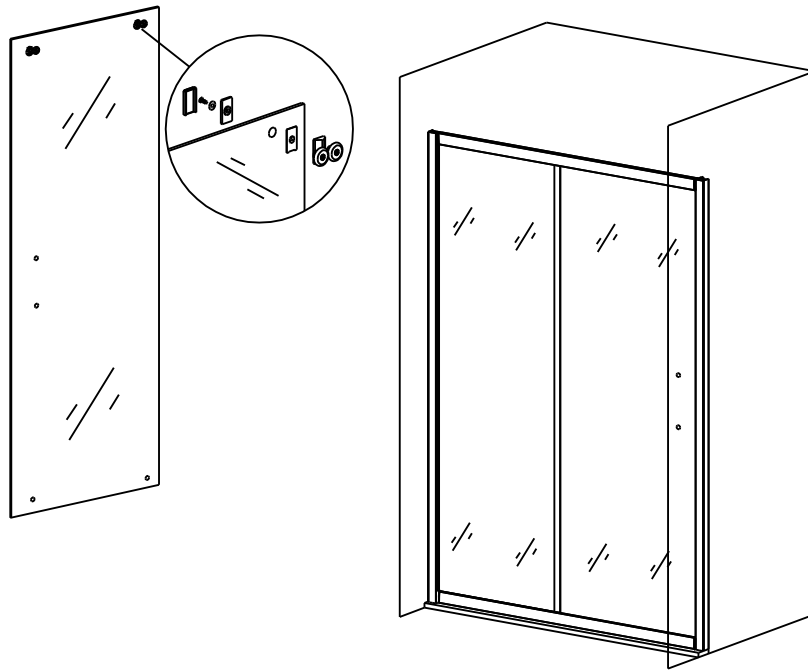
Connect the magnetic column and rail by tapping screw M4×16.
Install the wall stick material to both of the columns.

④



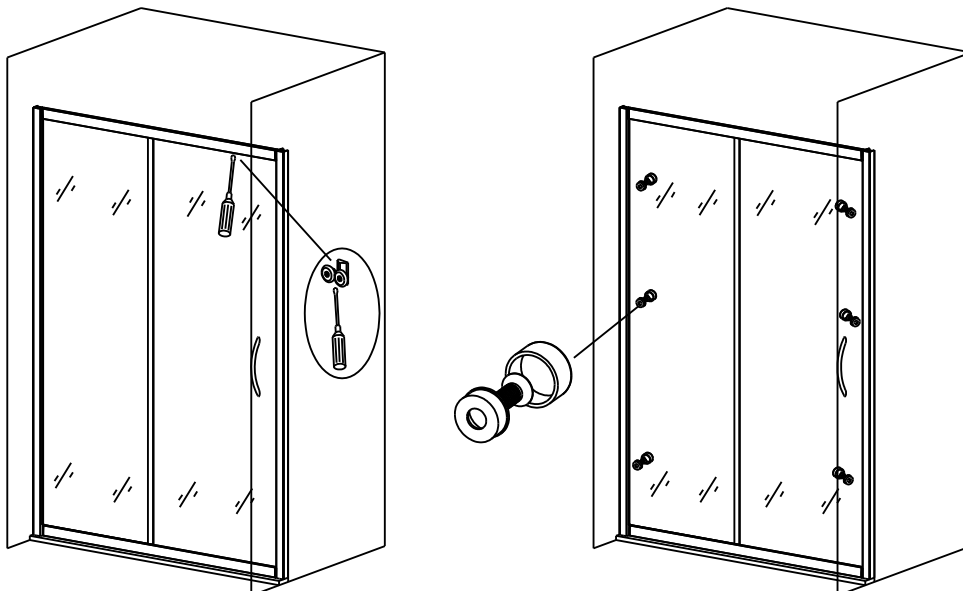
Measure and make the side column vertically by spirit level, Mark the fixing screw position by pencil, drill a hole by an $\phi 6$ drill, throw the inflatable glue in and fix the side column to the wall by screw (M4×30), and install the A.B decorative cover.

5



Put the up-wheel on the movable glass, adjust the up-wheel to the bottom. Then lift up the glass to the to up-rail, put the down-wheel to the down-rail and fix it by screw and key.

6



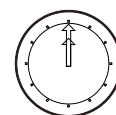
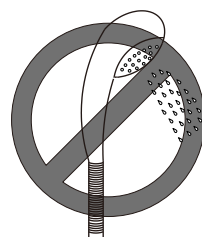
Install the plastic magnet stripe, waterproof bar, single side rubber and plastic handle, adjust the balance of upper wheel by screwdriver to make the magnet strip adsorb closely. Drill a hole by an $\varnothing 3.2$ drill, fix the column and wall stick material by $M4 \times 10$ screw and A.B decorative cover. Finally seal with glass glue around the shower room. It can be used in 24 hours.



Please read this instructions before installation.

Precautions before installation.

- The shower room should be installed by professionals according to instructions. Otherwise, the shower room may be unstable or fall down which will lead to product broken or people injured.
- Count the object quantity. The glasses must be moved by two people. Put a soft and non-slip object under the glass and stand the glass against a wall smoothly. It will make the glass broken if it is placed in horizontal position. Pay attention to avoid hitting the four corners of the glass.
- Don't strongly knock the glass to avoid being broken.
- Before install the shower room, read the instructions carefully and know well about the tooling and installation sequence.
- It can be used and clean after 24 hour installation.



24 H

Maintenance and repair

- 1、 Don't let children, older people or activity restricted people go into the shower room alone.
- 2、 Don't climb,lean against or hang something heavy on the shower room.
- 3、 Don't be rubbed or knocked by hard object, in case to cause broken.
- 4、 Don't make the burning cigarette near the shower room, and don't leave cigarette ash in the shower room. The burning flame will destroy the spray and glass, so it must keep away from fire.
- 5、 Before entering the shower room, pay attention the height of the falling in order to avoid getting tripped.
- 6、 Before entering the shower room, don't put the hand into the crack of the door,in case any injured occur.
- 7、 The soap suds in the shower room will make people slip very easily, Be careful not to slip.
- 8、 The shower room should be kept in good ventilation, in case to avoid leaving the moisture long stay in the shower room, and cause mildew and bad smell.
- 9、 Regularly clean the sliding rail, sliding wheel and sliding lump, add lubricant (lubricant oil or lubricant wax).
- 10、 Regularly adjust the screw of sliding wheel, sliding lump to make sure the effective load bearing and good sliding position of the moving door.
- 11、 Please use neutral liquid detergent and smooth fabric to clean the shower door. Don't use any acidity, alkaline detergent,thinner, alcohol, acetone and any stronge detergent.
- 12、 When dirty water appear on the water retaining stone, you can wipe it with a little toothpaste by wet fabric.
- 13、 It will be leaking if the glass seal is dropped. So please make it up when dropped.

