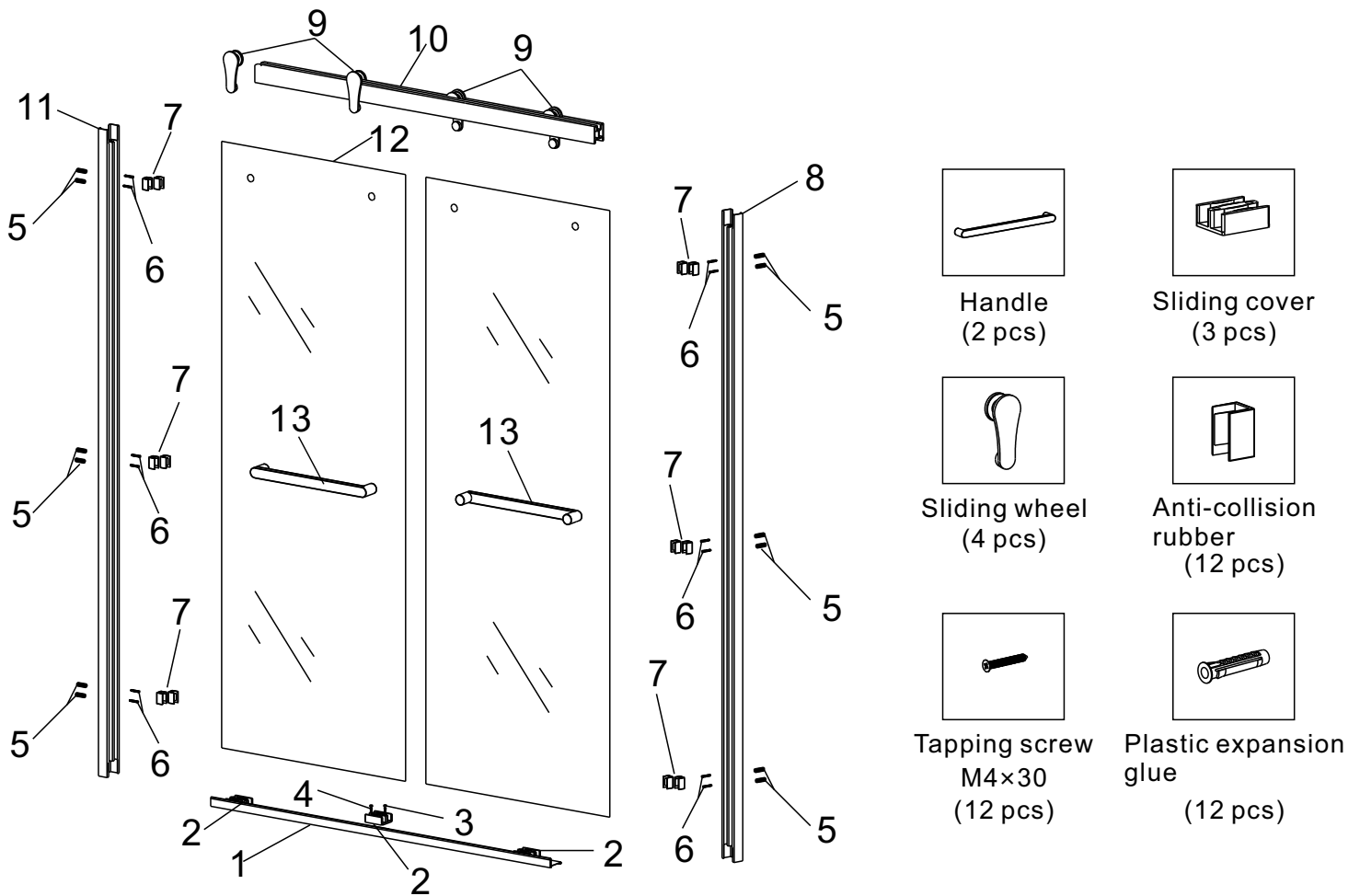
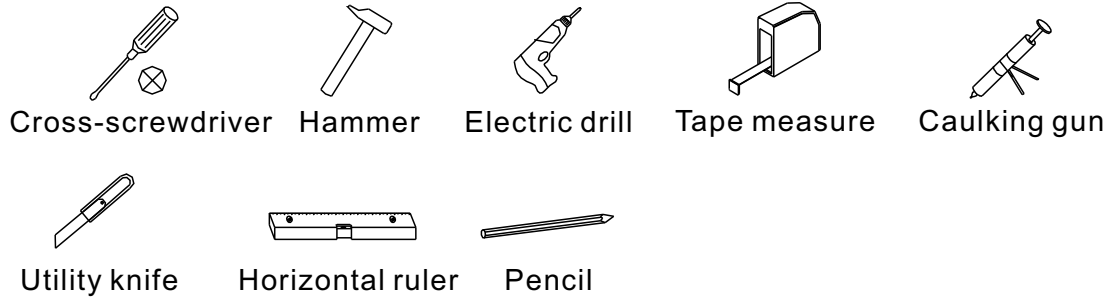


Installation for Instruction

ITEM NO:LY3401-02

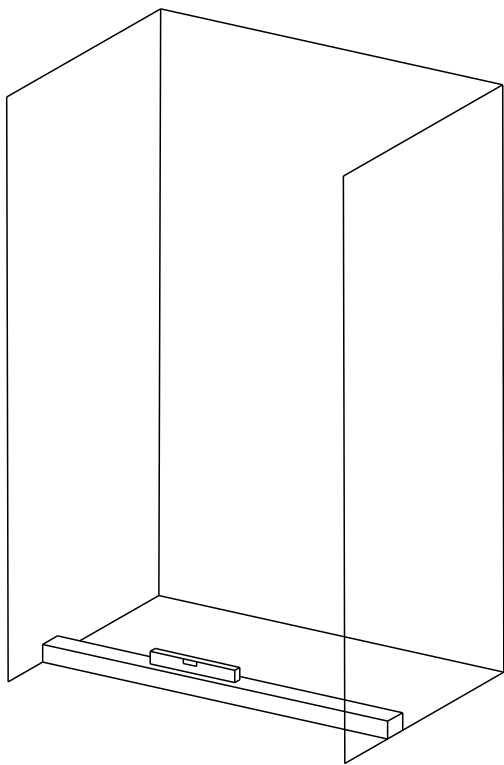
Tools you need



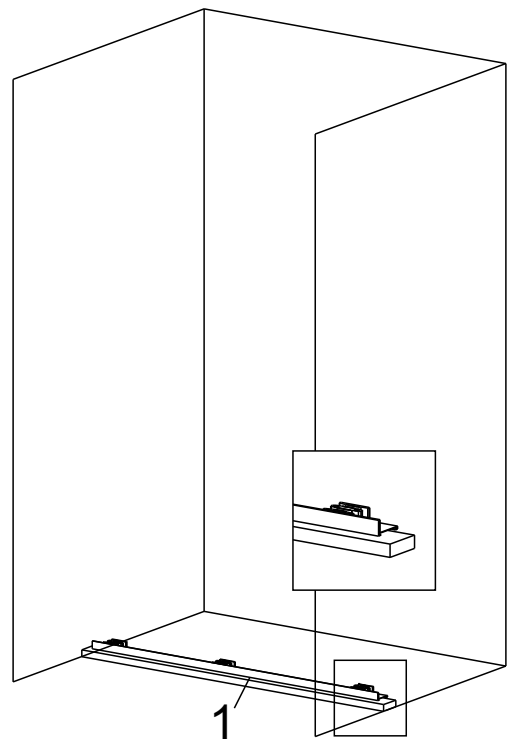
Spare parts List

5	Plastic expansion screw 6mm	10	Up rail		
4	Scew M4×12	9	Sliding wheel		
3	Sliding decorative cap	8	Right side column	13	s/s handle
2	Sliding cover	7	Anti-collision rubber	12	Movable glass
1	Down rail	6	Tapping screw M4×30	11	Left side column
No.	Description	No.	Description	No.	Description

①

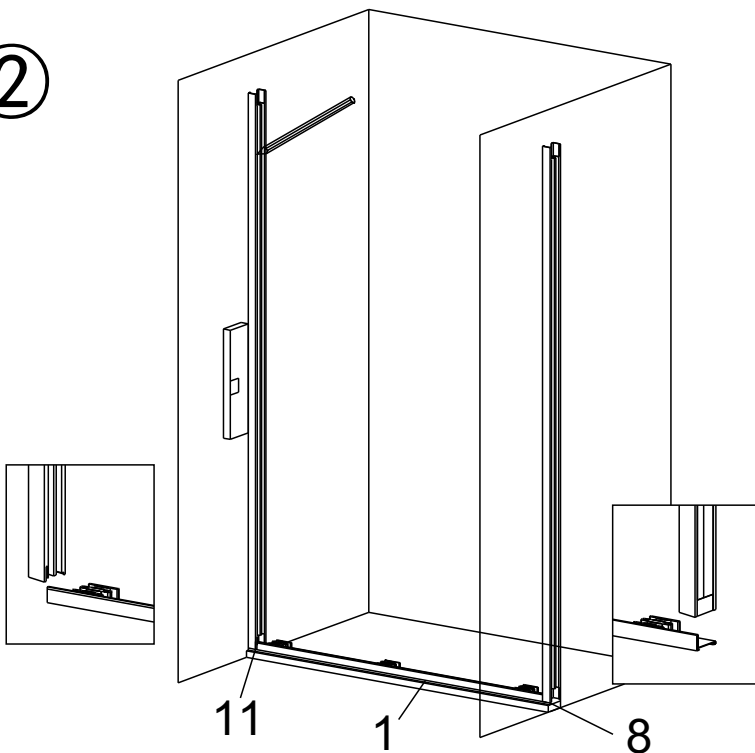


Select the installation position, put the tray or base stone to the position and measure it horizontally by spirit level.

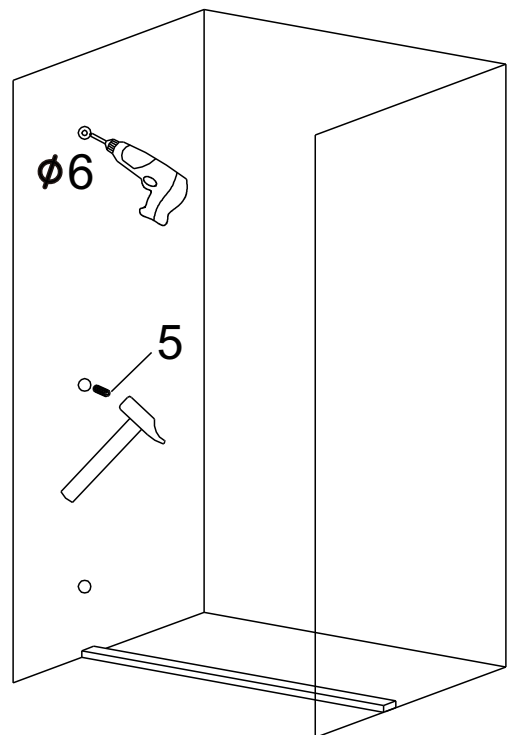


Put the down-rail to the installation position. Make sure that down-rail is in the center position, leave some space at both ends in order to install side column.

②

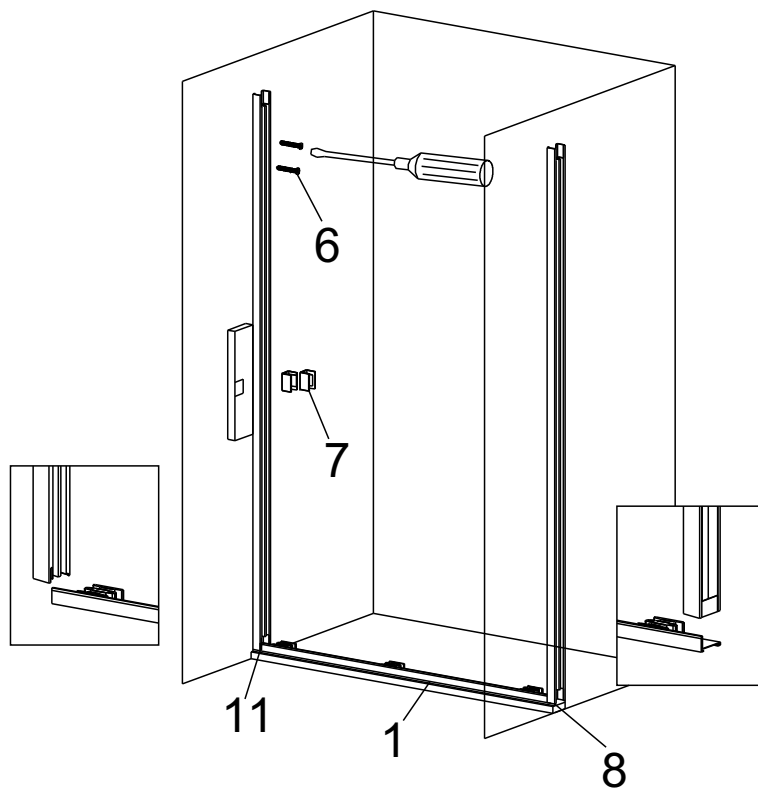


Insert the right and left column to the down-rail. Pay attention to the bottom slotting direction. Exchange the side column if the slotting direction is wrong.



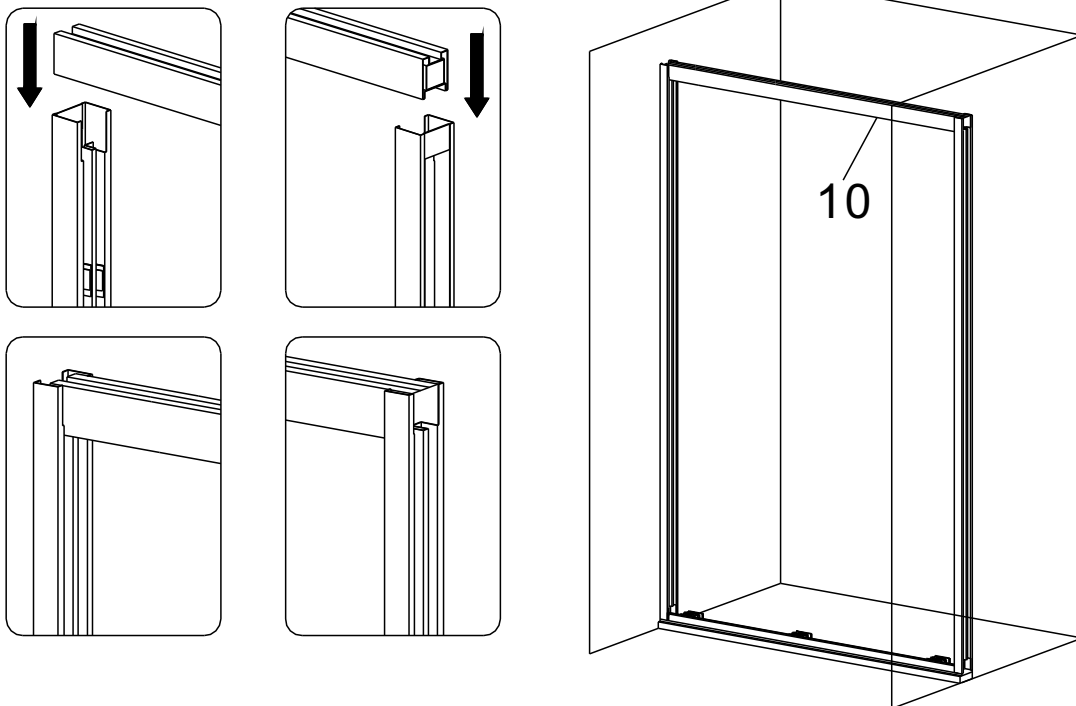
Measure the side column horizontally by spirit level, make the fixing screw hole position by pencil, remove the down rail and side column, drill a hole and insert with plastic expansion screw.

③



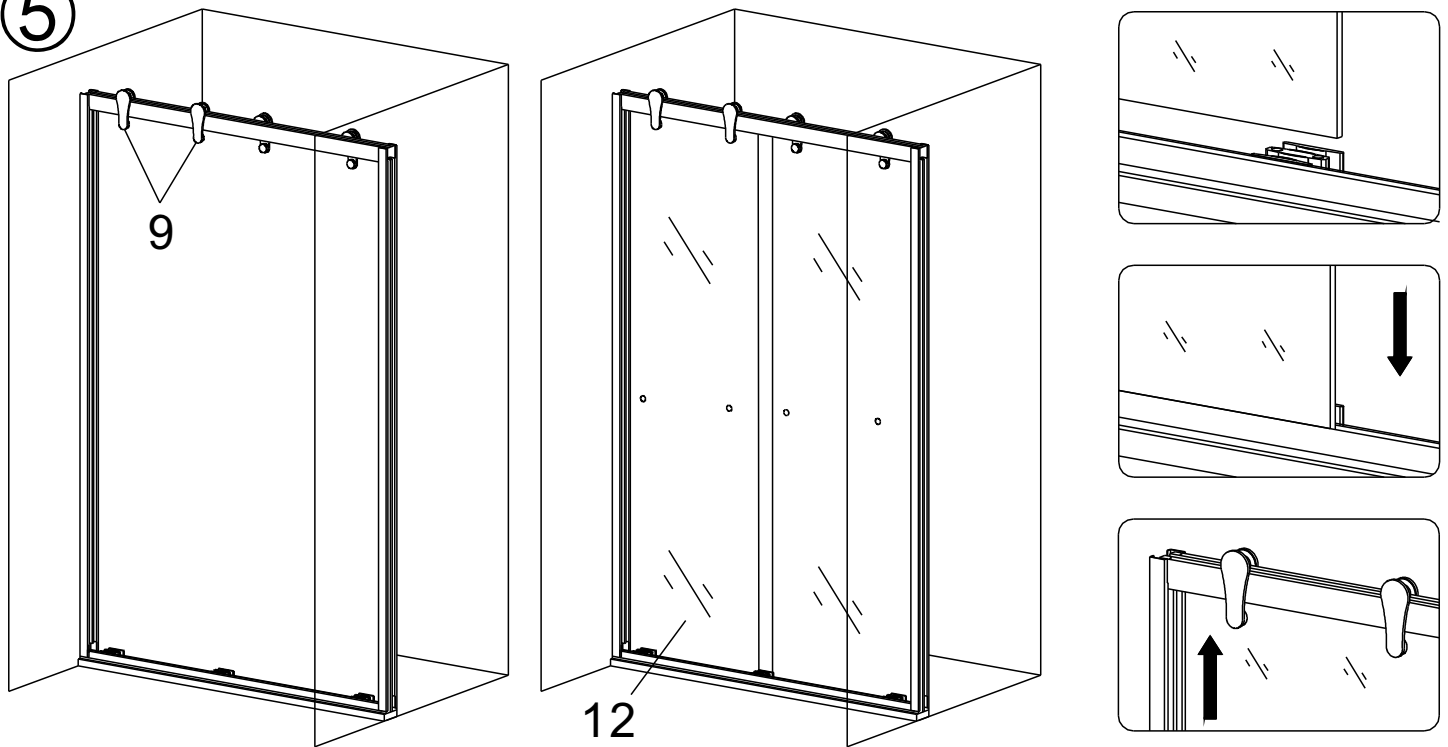
Put the down rail to the base stone, and put the left and right side columns to the down rail, measure it horizontally by spirit level.
Lock the side column and wall tightly with screw, and assemble the anti-collision rubber.

④



Make the both ends of the upper rail into the slot of the side column, push down hard to make it flatten.
After install the up-rail, adjust the length of both ends, so that the length of which rail of the column is the same.

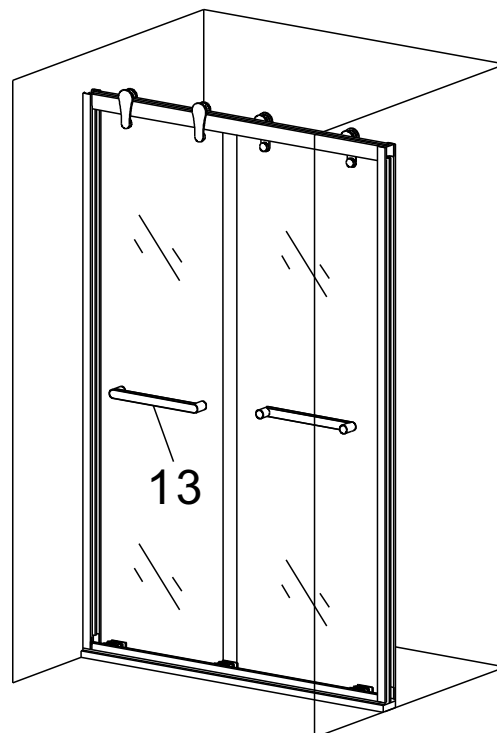
5



Put the sliding wheel to the up rail, remove the moveable glass, and insert the bottom of the moveable glass to the sliding cover.

Attention: The safety membrane is stucked at the inside of the glass.

6



Install the handle of the movable door. Attention to the direction of the handle. Make sure the outside handle rod is out, and the inside handle rod is in.

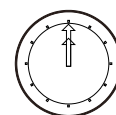
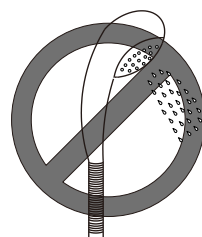
Adjust the height of the sliding wheel, make sure the both sides is in good closing. Finally seal with glass glue around the shower room. It can be used in 24 hours.



Please read this instructions before installation.

Precautions before installation.

- The shower room should be installed by professionals according to instructions. Otherwise, the shower room may be unstable or fall down which will lead to product broken or people injured.
- Count the object quantity. The glasses must be moved by two people. Put a soft and non-slip object under the glass and stand the glass against a wall smoothly. It will make the glass broken if it is placed in horizontal position. Pay attention to avoid hitting the four corners of the glass.
- Don't strongly knock the glass to avoid being broken.
- Before install the shower room, read the instructions carefully and know well about the tooling and installation sequence.
- It can be used and clean after 24 hour installation.



24 H

Maintenance and repair

- 1、 Don't let children, older people or activity restricted people go into the shower room alone.
- 2、 Don't climb,lean against or hang something heavy on the shower room.
- 3、 Don't be rubbed or knocked by hard object, in case to cause broken.
- 4、 Don't make the burning cigarette near the shower room, and don't leave cigarette ash in the shower room. The burning flame will destroy the spray and glass, so it must keep away from fire.
- 5、 Before entering the shower room, pay attention the height of the falling in order to avoid getting tripped.
- 6、 Before entering the shower room, don't put the hand into the crack of the door,in case any injured occur.
- 7、 The soap suds in the shower room will make people slip very easily, Be careful not to slip.
- 8、 The shower room should be kept in good ventilation, in case to avoid leaving the moisture long stay in the shower room, and cause mildew and bad smell.
- 9、 Regularly clean the sliding rail, sliding wheel and sliding lump, add lubricant (lubricant oil or lubricant wax).
- 10、 Regularly adjust the screw of sliding wheel, sliding lump to make sure the effective load bearing and good sliding position of the moving door.
- 11、 Please use neutral liquid detergent and smooth fabric to clean the shower door. Don't use any acidity, alkaline detergent,thinner, alcohol, acetone and any stronge detergent.
- 12、 When dirty water appear on the water retaining stone, you can wipe it with a little toothpaste by wet fabric.
- 13、 It will be leaking if the glass seal is dropped. So please make it up when dropped.

