

# Installation for Instruction

ITEM NO:LY2401-02

## Tools you need



cross-screwdriver



hammer



electric drill



tape measure



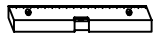
caulking gun



safety glasses



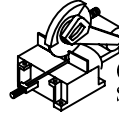
Utility knife



horizontal ruler

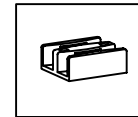
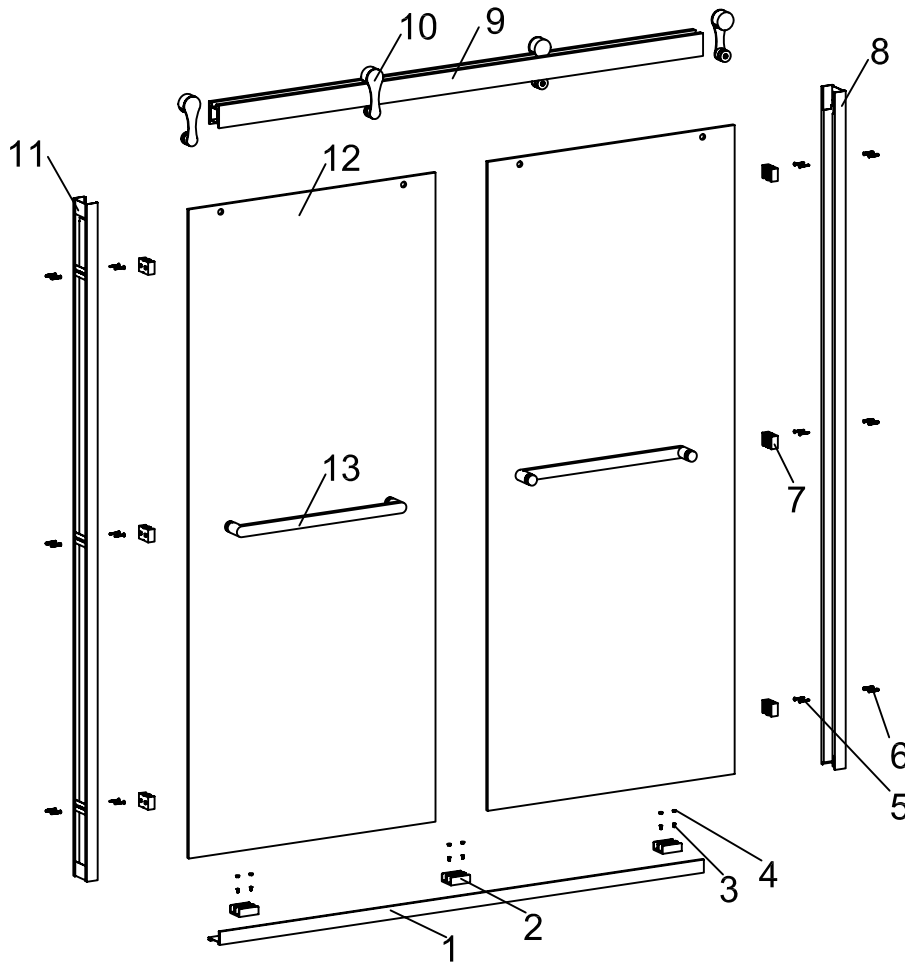


pencil

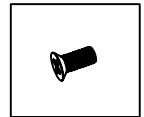


Chop saw

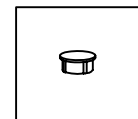
(With blade for cutting Stainless Steel)



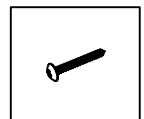
Guide Block  
(3 pcs)



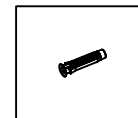
M4×10 screw  
(6 pcs)



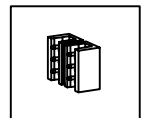
Sliding cover  
(6 pcs)



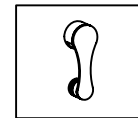
ST4×30 Truss  
Head screw  
(12 pcs)



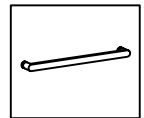
Plastic expansion  
glue  
(12 pcs)



Anti-collision  
rubber  
(6 pcs)



Sliding wheel  
(4 pcs)

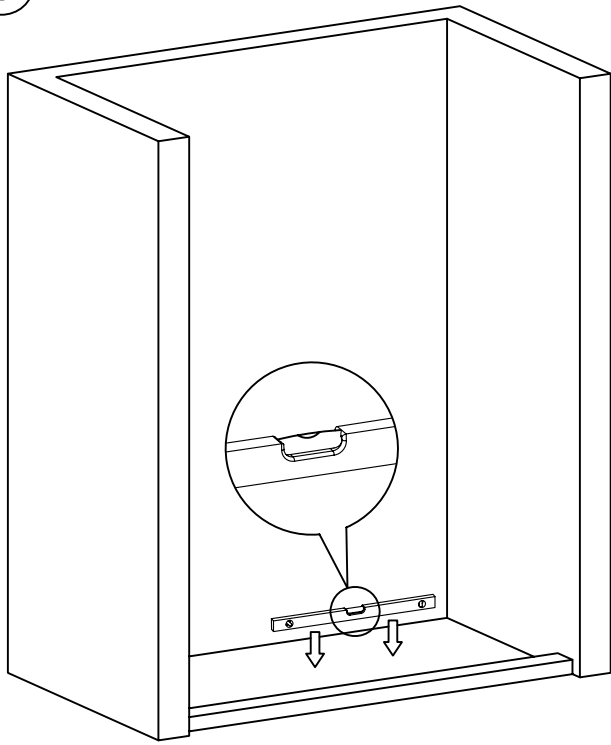


Handle  
(2 pcs)

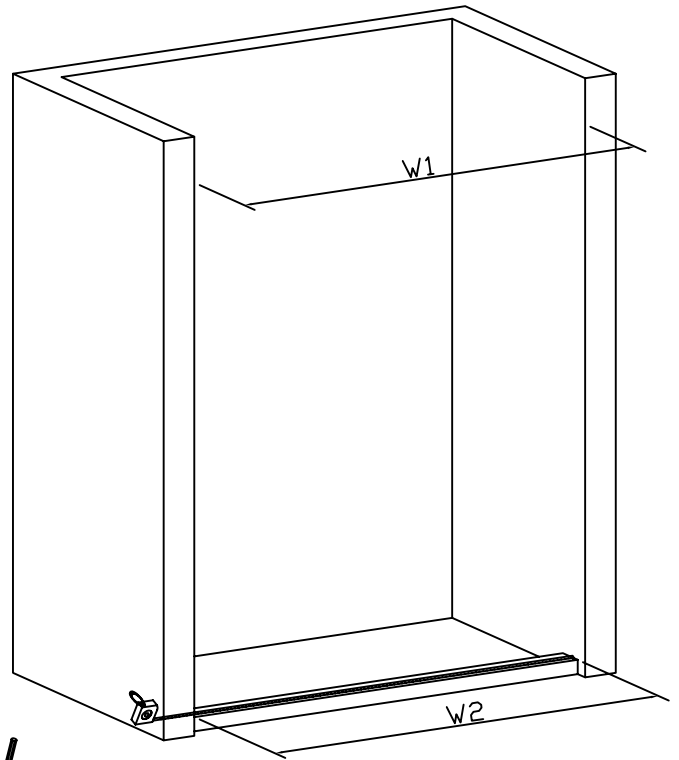
## Spare parts List

5	ST4×30 Truss Head screw	10	Sliding wheel		
4	Sliding cover	9	Top Guide Rail		
3	M4×10 screw	8	Right side column	13	Handle
2	Guide Block	7	Anti-collision rubber	12	Moving glass
1	Bottom Guide Rail	6	∅6 Plastic expansion glue	11	Left side column
No.	Description	No.	Description	No.	Description

1

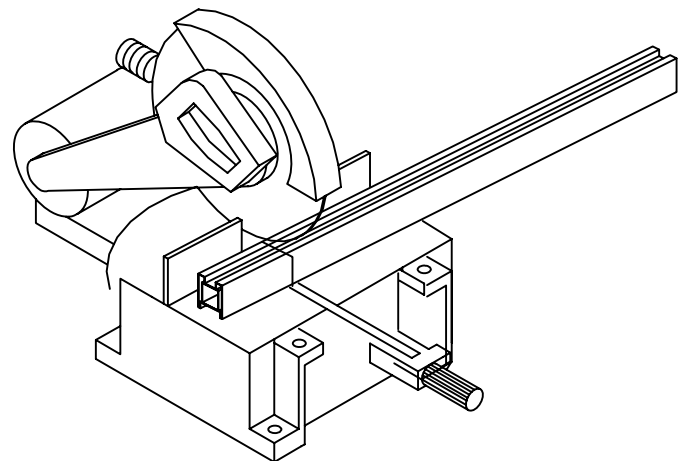
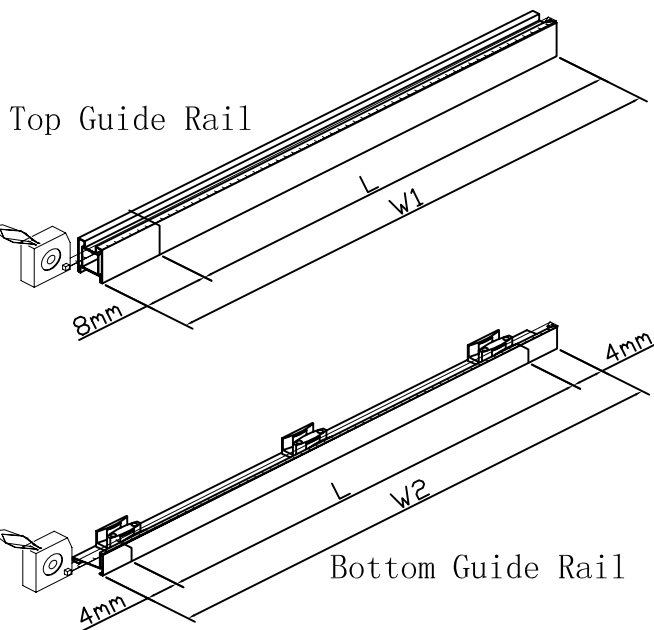


Measure by spirit level, adjust to make sure the installed position is horizontal.



— Finished opening top (W1)  
 — Finished opening bottom (W2)

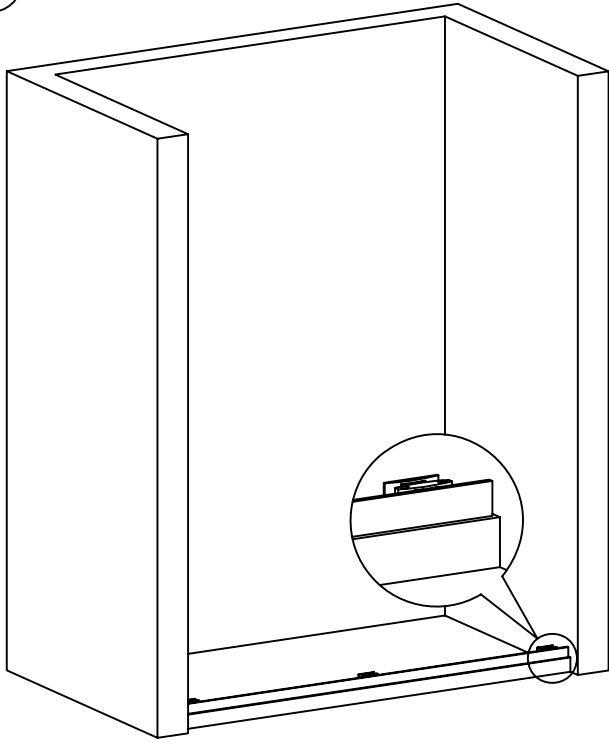
2



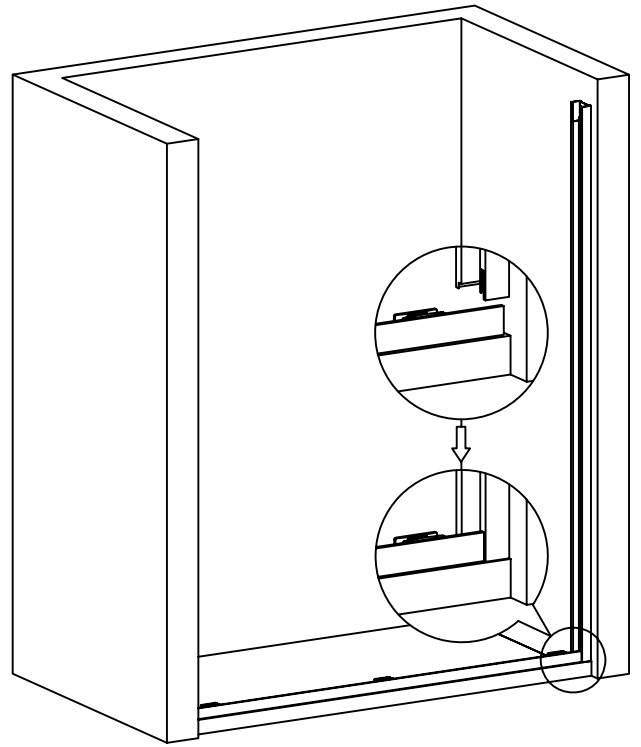
The Top Guide Rail can be cut from either end.  
 The Bottom Guide Rail needs to be cut equally from both ends to keep the center guide holes centered.

Cut the Top Guide Rail -8mm shorter than the top dimension W1.  
 Cut the Bottom Guide Rail -4mm×2 shorter than the bottom dimension W2

3

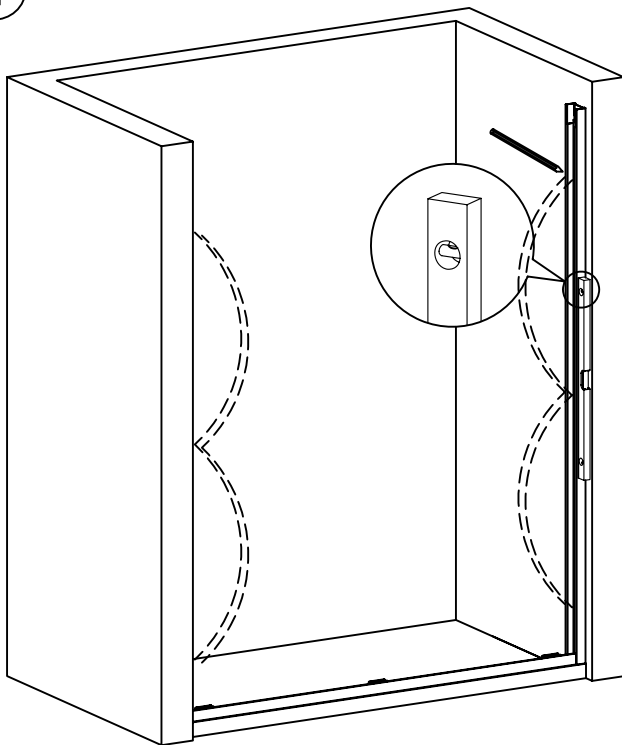


Put the bottom guide rail to the installation position. Make sure that bottom guide rail is in the center position, leave some space at both ends in order to install side column.

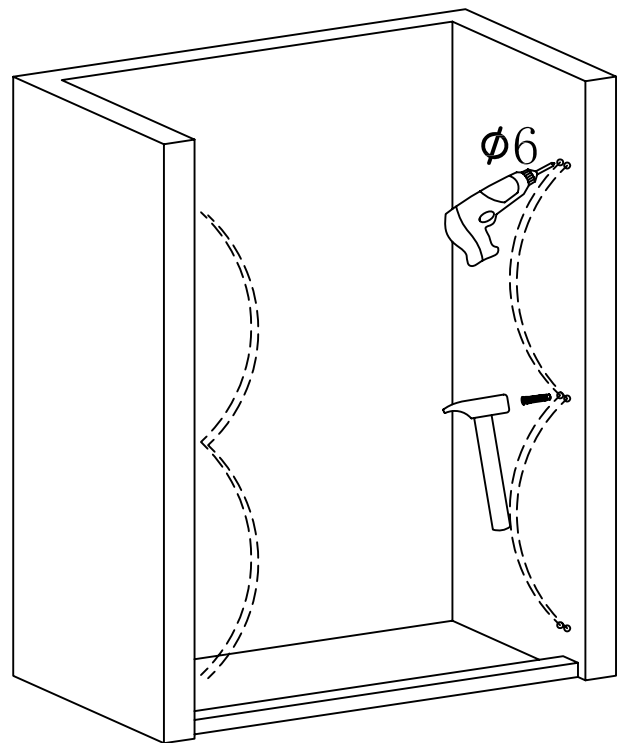


Insert the left and right side column to the bottom guide rail.

4

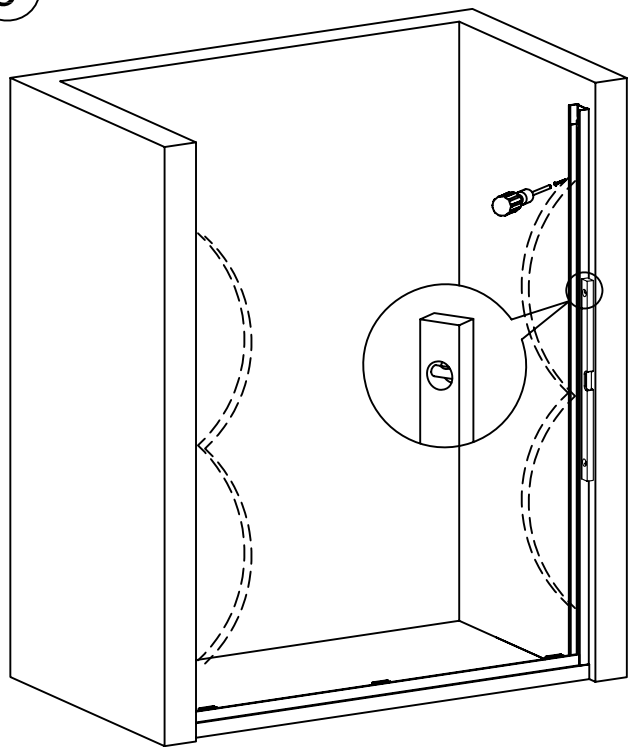


Ensure the water material is vertical, make a hole by pencil.

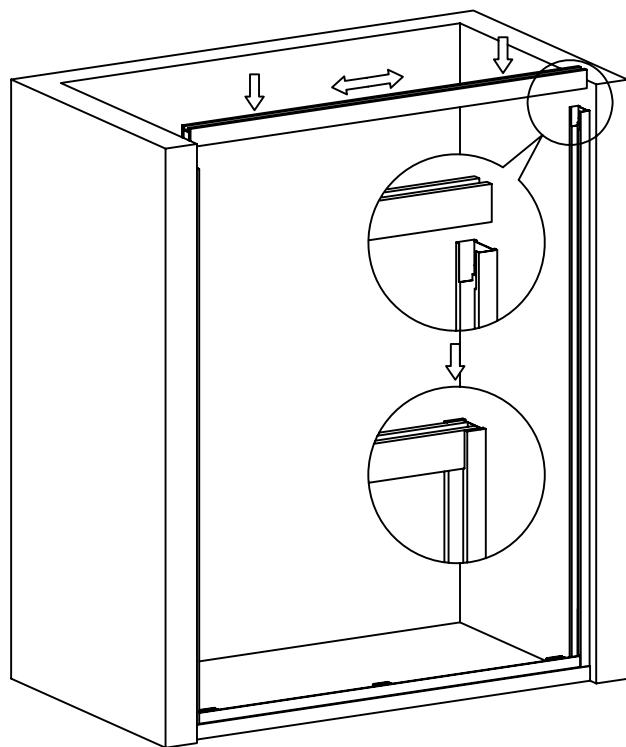


Drill a hole by an  $\phi 6$  driller, Knock in the 6mm expansion screw.

5

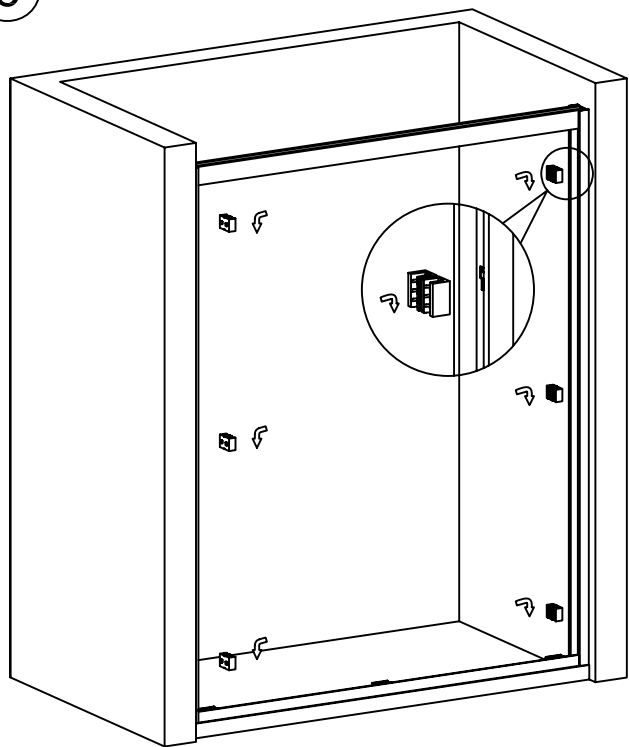


Lock the left and right side column tightly by a ST4×30 tapping screw.

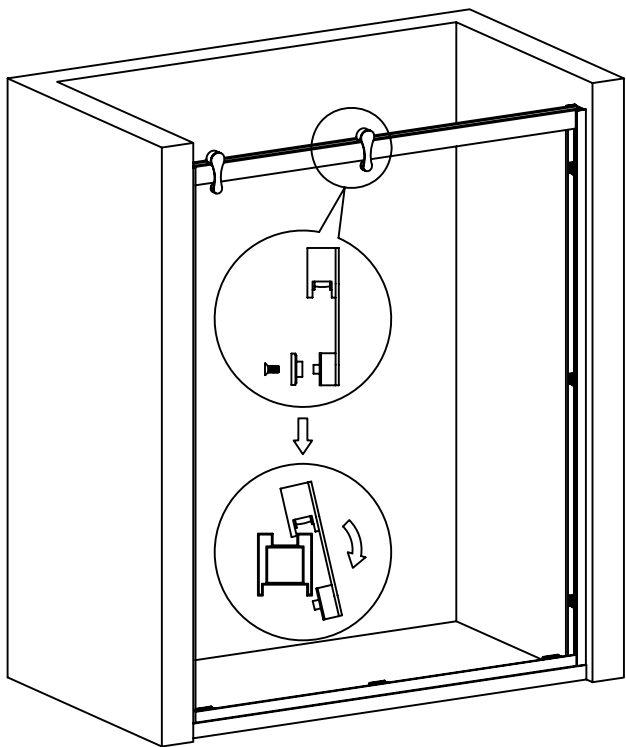


Put the both ends of the top guide rail to the left and right side column. Adjust the up-rail to make the space between the left and right side column is the same.

6

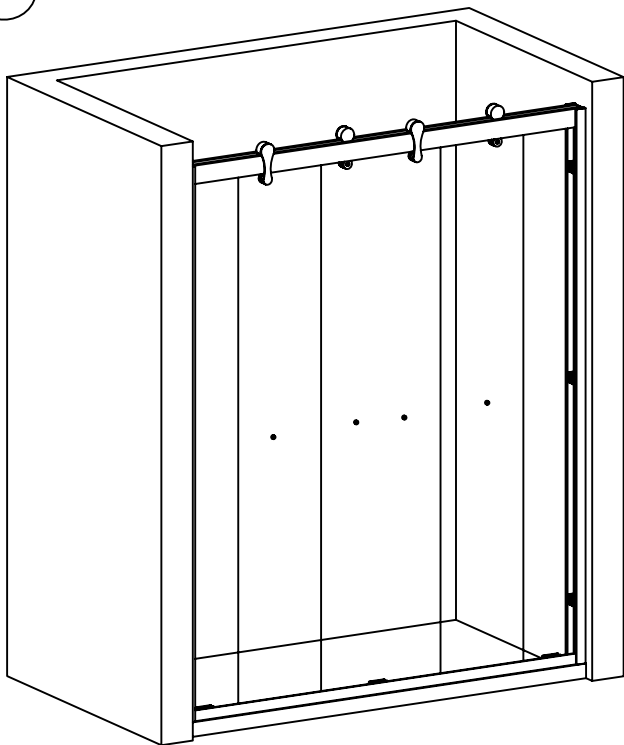


Install anti-collision rubber.

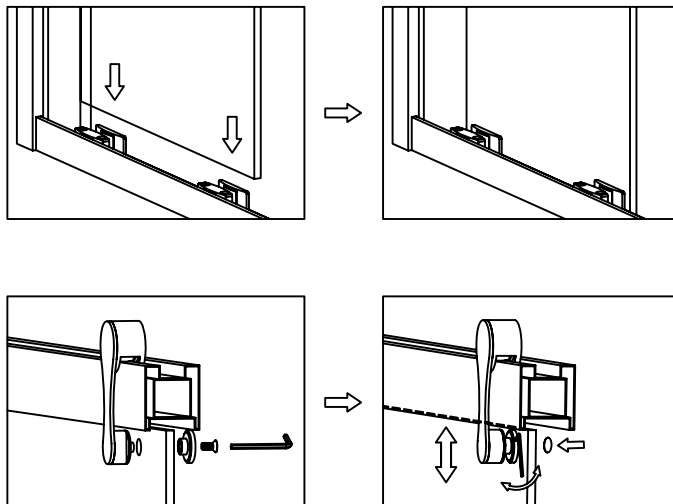


Put the sliding wheel to the top guide rail.

7

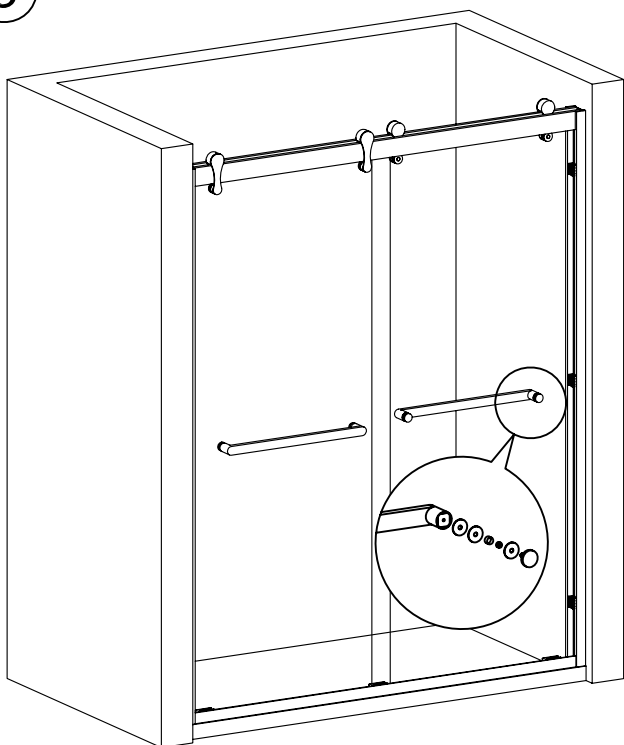


Install the moving glass.

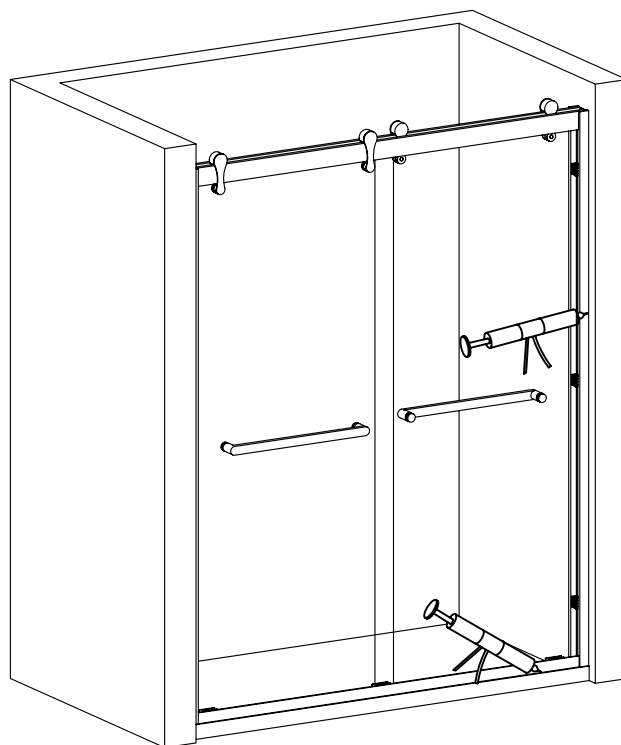


Rotate this bushing to adjust the glass and then tighten the flat head hexagon socket screw. Attach the decorative cover.

8



Install the handle.



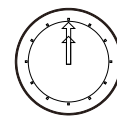
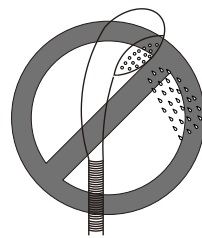
Apply good quality mildew-resistant silicone to the interior of the shower door along the walls and threshold. It can be used after 24 hours.



**Please read this instructions before installation.**

### **Precautions before installation.**

- The shower room should be installed by professionals according to instructions. Otherwise, the shower room may be unstable or fall down which will lead to product broken or people injured.
- Count the object quantity. The glasses must be moved by two people. Put a soft and non-slip object under the glass and stand the glass against a wall smoothly. It will make the glass broken if it is placed in horizontal position. Pay attention to avoid hitting the four corners of the glass.
- Don't strongly knock the glass to avoid being broken.
- Before install the shower room, read the instructions carefully and know well about the tooling and installation sequence.
- It can be used and clean after 24 hour installation.



**24 H**

## Maintenance and repair

- 1、 Don't let children, older people or activity restricted people go into the shower room alone.
- 2、 Don't climb,lean against or hang something heavy on the shower room.
- 3、 Don't be rubbed or knocked by hard object, in case to cause broken.
- 4、 Don't make the burning cigarette near the shower room, and don't leave cigarette ash in the shower room. The burning flame will destroy the spray and glass, so it must keep away from fire.
- 5、 Before entering the shower room, pay attention the height of the falling in order to avoid getting tripped.
- 6、 Before entering the shower room, don't put the hand into the crack of the door,in case any injured occur.
- 7、 The soap suds in the shower room will make people slip very easily, Be careful not to slip.
- 8、 The shower room should be kept in good ventilation, in case to avoid leaving the moisture long stay in the shower room, and cause mildew and bad smell.
- 9、 Regularly clean the sliding rail, sliding wheel and sliding lump, add lubricant (lubricant oil or lubricant wax).
- 10、 Regularly adjust the screw of sliding wheel, sliding lump to make sure the effective load bearing and good sliding position of the moving door.
- 11、 Please use neutral liquid detergent and smooth fabric to clean the shower door. Don't use any acidity, alkaline detergent,thinner, alcohol, acetone and any stronge detergent.
- 12、 When dirty water appear on the water retaining stone, you can wipe it with a little toothpaste by wet fabric.
- 13、 It will be leaking if the glass seal is dropped. So please make it up when dropped.

