

Warranty Information

PASGO faucet warrants the original purchase (must have prove of purchase) that such product is free from defect in materials or workmanship for as long as the original consumer purchaser owns their home from the date of purchase. This warranty is limited to but not including labor charges incurred in/or damages sustained during installation, repair or replacement, nor incidental or consequential damages. This warranty does not cover items which are received secondary finishing or have been altered or modified after purchase, or for defects raised by physical abuse to or misuse of the product. This warranty gives the original purchaser of a PASGO faucet specific legal rights which may vary from state to state or from province to province. In some states or provinces the exclusion or limitation incidental or consequential damages is not allowed, for those exclusions may not apply to you.

Thank you for your purchase

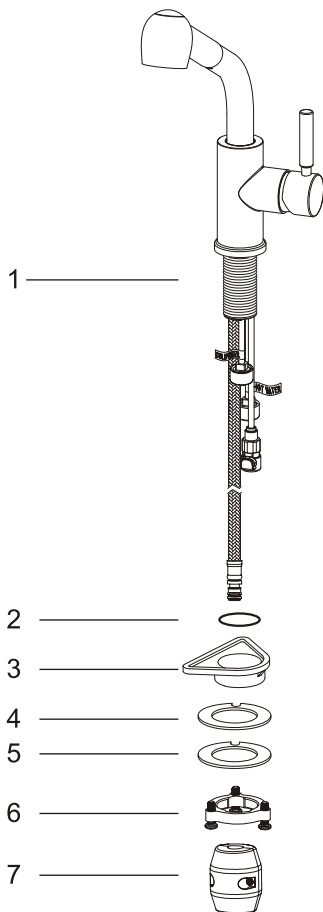
PASGO[®]

— Kitchen & Bath —



Single Handle HI ARC Pull-down Kitchen Faucet
3 Hole or Single Hole Installation

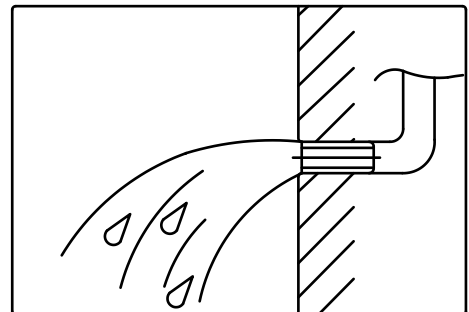
Parts Diagram



Parts List

NO.	NAME
1	Faucet
2	O ring
3	Fixing base
4	Rubber ring
5	Metal plate
6	Fixing nut
7	Weight

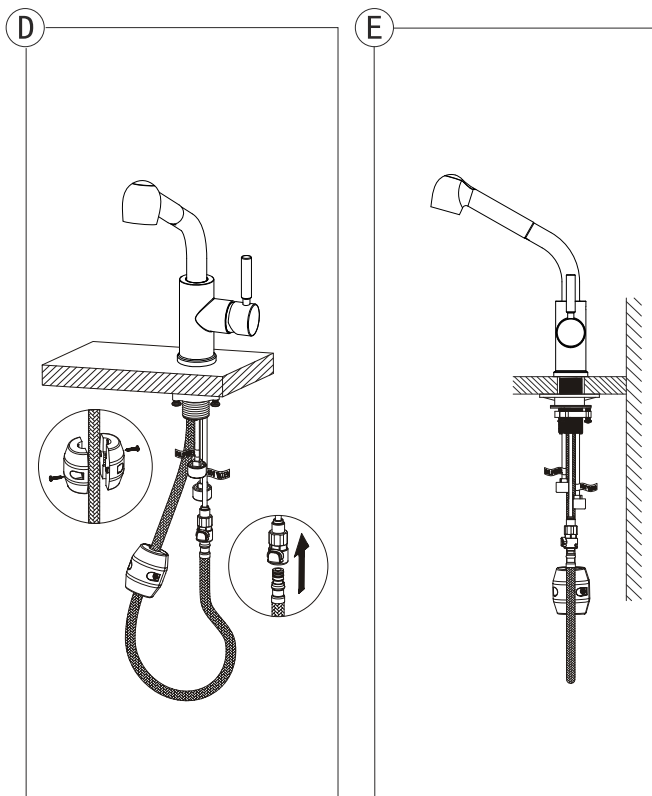
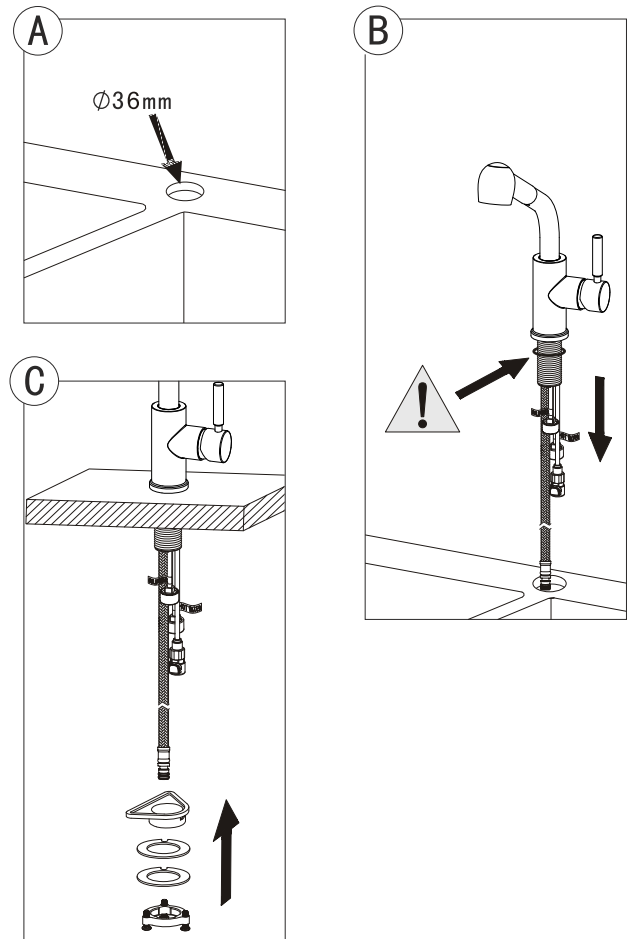
REMARK: CLEAN THE PIPE BEFORE INSTALLATION.



In order to avoid the obstruction of faucet, must to clean the impurities and sludge of pipe, before assembly.

FAUCET INSTALLATION STEPS

1. Before installation, make sure there is a hole ($\Phi 36$) on the table top. Refer to draft (A).
2. Put the two inlet pipes of the faucet body through the hole which is on the table top. Make sure the washer is on the body. Refer to draft (B)
3. Put the plastic washer and metal washer on the fixing screw and tighten the fixing nut to fix the faucet on the table top. Refer to draft (C)
- 4: Use the weight ball to clamp the pull out hose, and tighten with the screw, then put the joint of the pull out hose to the joint of the flexible hose. Refer to draft (D).
5. Connect the angle valve and tighten it by wrench. Close the switch of faucet and open the switch of angle valve, keep pressure for 30 minutes, to check if it leaks at all connections. Refer to draft (E).



Using explanation

Upturn the handle to open the water.
 The larger the angle is, the larger the flow is. Reset is closed.
 Turn left the handle, more hot water:
 Turn right the handle, more cold water
 The spout can be 360 degree rotated.

