

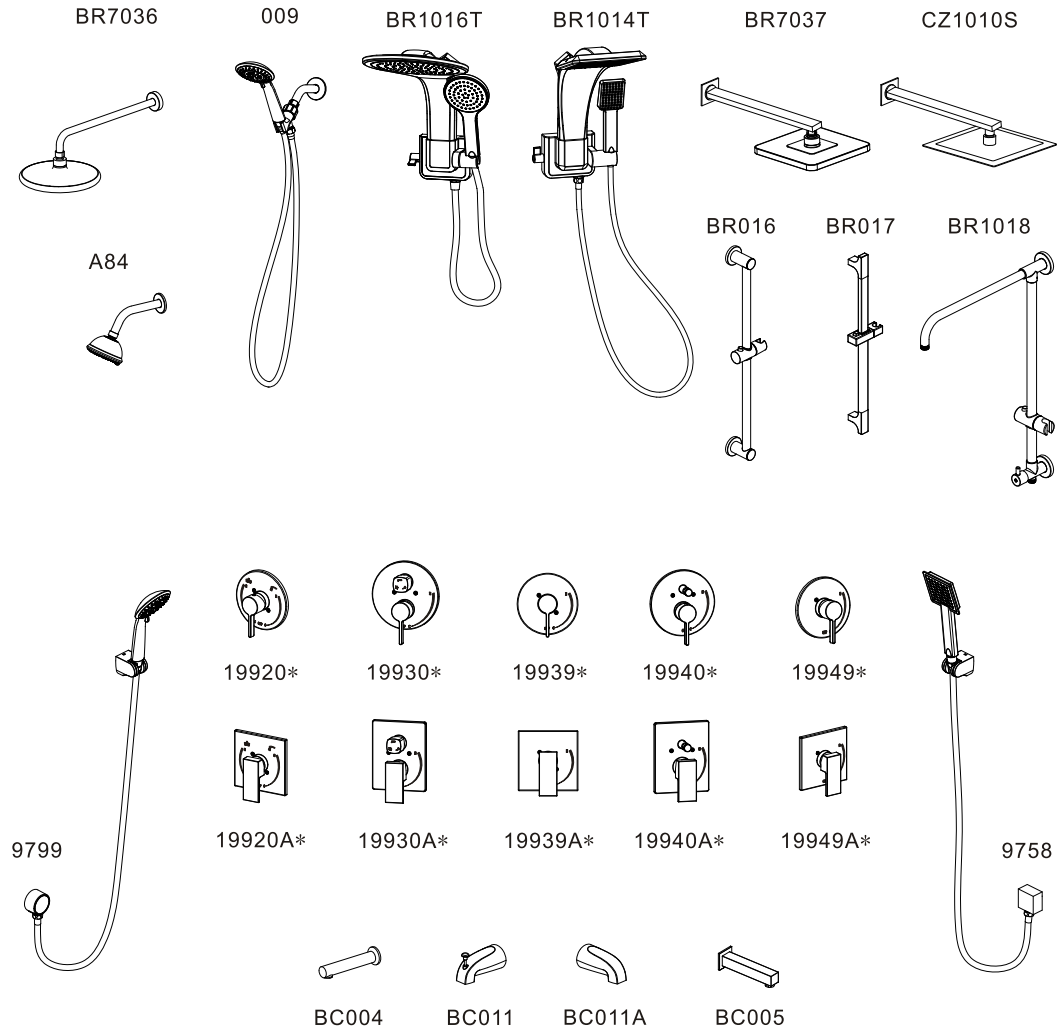
# Warranty Information



Chrome, Brushed Nickel, Brushed Gold, Matte Black

PASGO faucet warrants the original purchase (must have prove of purchase) that such product is free from defect in materials or workmanship for as long as the original consumer purchaser owns their home from the date of purchase. This warranty is limited to but not including labor charges incurred in/or damages sustained during installation, repair or replacement, nor incidental or consequential damages. This warranty does not cover items which are received secondary finishing or have been altered or modified after purchase, or for defects raised by physical abuse to or misuse of the product. This warranty gives the original purchaser of a PASGO faucet specific legal rights which may vary from state to state or from province to province. In some states or provinces the exclusion or limitation incidental or consequential damages is not allowed, for those exclusions may not apply to you

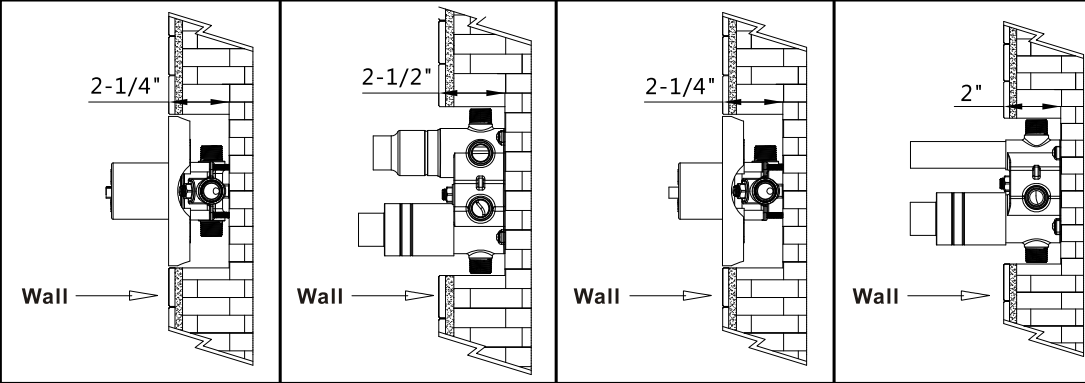
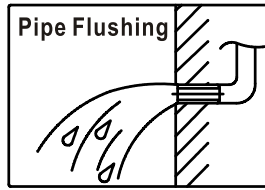
Thank you for your purchase



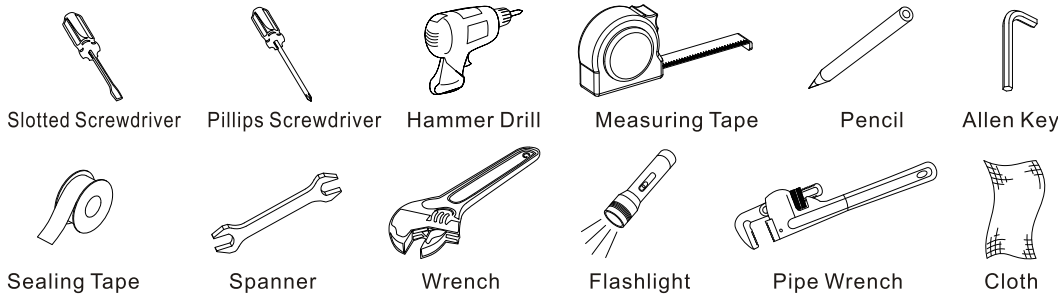
Pressure Balanced System Shower Faucet

## Installation Guidelines

1. Before installation: Please leave the water pipe clean without impurities and sludge to prevent from blocking.
2. Do Not disassemble the Faucet valve. It has been tested by the manufactory.
3. During installation: Please install a filter in the inlet pipe in order to check whether the filter is blocked or not.
4. After installation: Please double check and be sure that all the connections are well connected, no leakage and no crackage until you seal the wall.
5. Make sure to empty the water pipe and faucet if room temperature is below 0°C (32°F), or else it may cause freeze.
6. Please install floor drain in the place where this product is used!

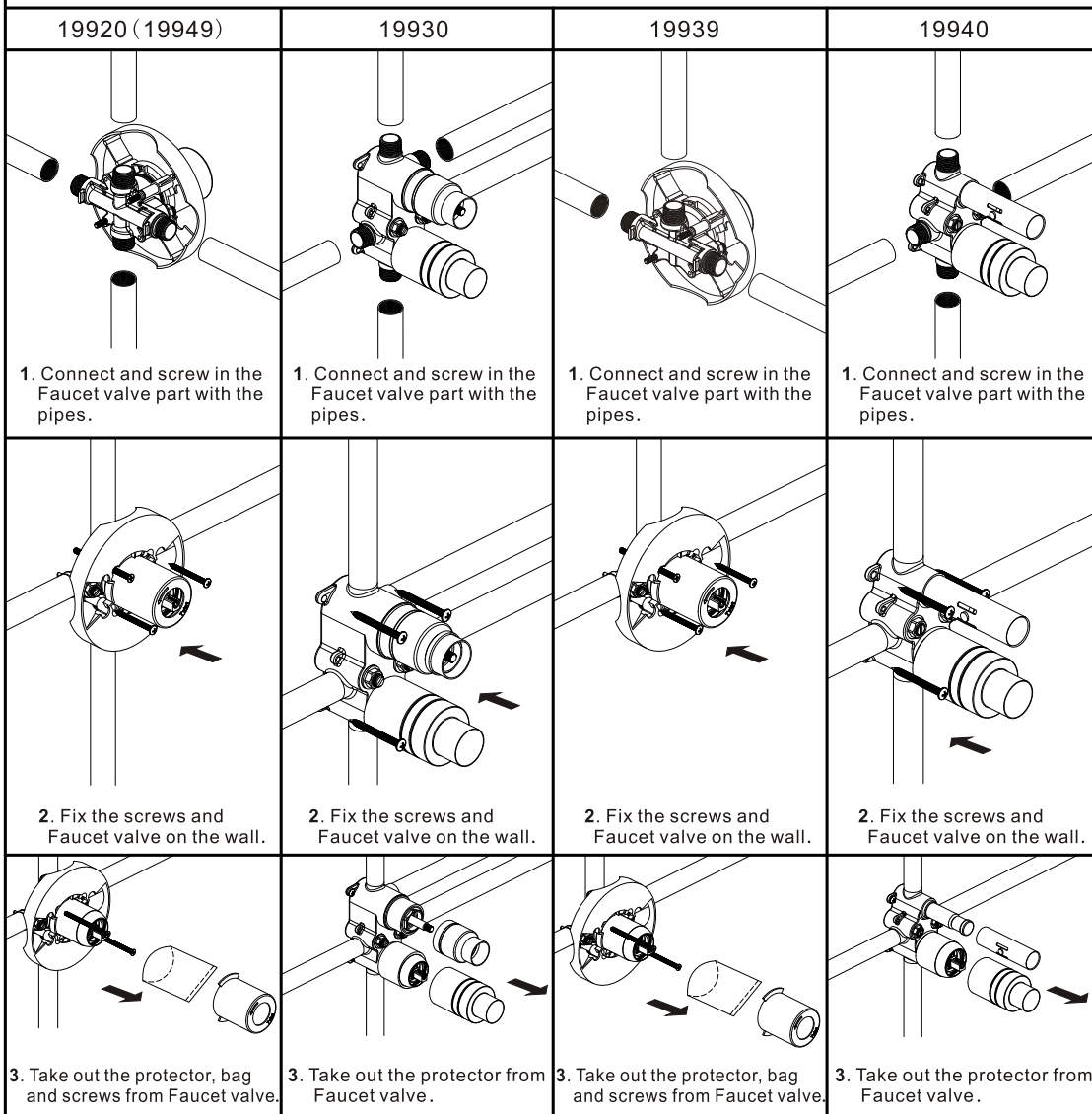


## Common Installation tools you may need:

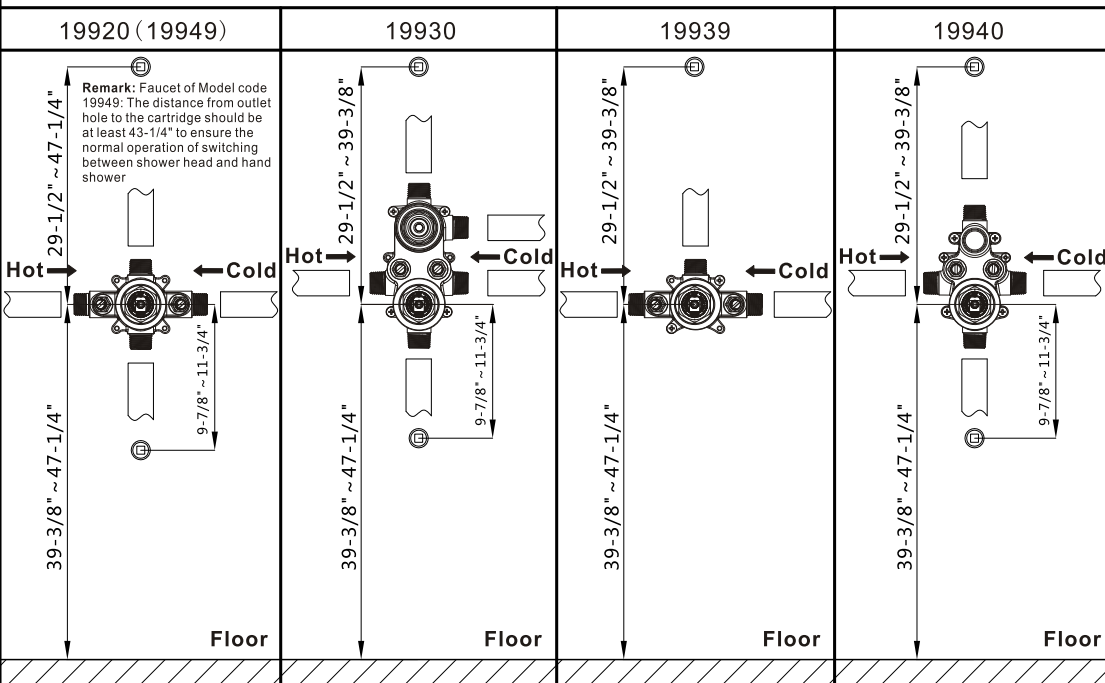


## Installation Steps

### Faucet valve part Installation Steps



### Preset the installation position of faucet:



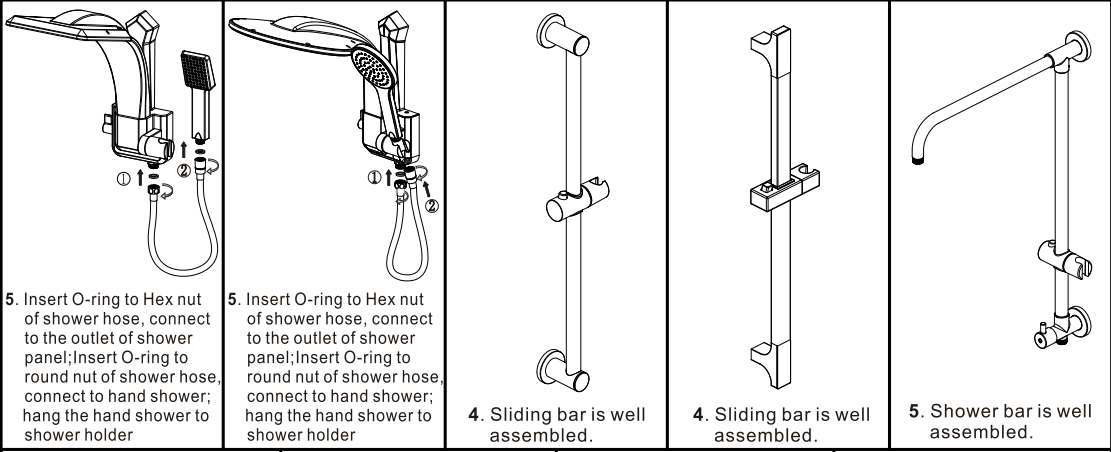
19920 ( 19949)	19930	19939	19940
4. Peel off the paper at the back of decorative plate, put on the screws, screw in to the right holes, fix the plate to the wall; Next assemble the handle and lock the screw by Allen Key; Last, put on the decorative button.	4. Peel off the paper at the back of decorative plate, put on the screws, screw in to the right holes, fix the plate to the wall; Next assemble the handle and lock the screw by Allen Key and put on the decorative button. Fix the diverter handle (SPOUT indicator faces upwards) and make sure each function is match with its indicator. Last, lock the screw and put on the decorative cover.	4. Peel off the paper at the back of decorative plate, put on the screws, screw in to the right holes, fix the plate to the wall; Next assemble the handle and lock the screw by Allen Key; Last, put on the decorative button.	4. Peel off the paper at the back of decorative plate, put on the screws, screw in to the right holes, fix the plate to the wall; Next assemble the handle and lock the screw by Allen Key; Last, put on the decorative button.

BR1014T	BR1016T	BR016	BR017	BR1018
1. Preset the position of Shower panel and make a mark.	1. Preset the position of Shower panel and make a mark.	1. Preset the position of sliding bar and make a mark.	1. Preset the position of sliding bar and make a mark.	1. Preset Shower bar and make a mark.
2. Dismantle the screws by Allen Key and take out the base.	2. Dismantle the screws by Allen Key and take out the base.	2. Open the lid of the base; press the bottom of the holder and insert it in the tube on the side with clamp.	2. Open the lid of the base; press the bottom of the holder and insert it in the tube.	2. Unscrew the screws from the Shower bar with Allen Key and take out the connection parts.
3. Screw in the screws and the base to the right position where it marked.	3. Screw in the screws and the base to the right position where it marked.	3. Preset the position of the base and fix the screws on the wall, cover up the decorative lid; Put on the tube and the other side of the base.	3. Preset the position of the base and fix the screws on the wall, cover up the decorative lid; Put on the tube and the other side of the base.	3. Wrap sealing tape around the threads of the water outlet connection and fit its into preset mounting holes tightly; Next, align the preset mounting holes with the fixed connectors, use Hammer drill to drive screws into the wall and secure the connectors.
4. Wrap the inlet connector of shower panel using sealing tape and put it to the shower outlet hole, screw up with the wrench. Next, put on the shower panel and screw back.	4. Wrap the inlet connector of shower panel using sealing tape and put it to the shower outlet hole, screw up with the wrench. Next, put on the shower panel and screw back.	4. The decorative cup sets into the Shower bar, align the mounting holes of Shower bar with the water outlet connector and the fixed connector and install, screw them up with Allen key; Install the tube into the shower bar, adjust the direction of the water outlet and tighten the screw with a hexagonal key.		

**Shower arm Installation Steps**

A84	BR7036	BR7037	CZ1010S
Put the decorating cover into the shower arm and wrap the threads with sealing tape at the end side of the shower arm. Lay it on the preset position on the wall and screw up. Last, put on the shower head.	Put the decorating cover into the shower arm and wrap the threads with sealing tape at the end side of the shower arm. Lay it on the preset position on the wall and screw up. Last, put on the shower head.	Put the decorating cover into the shower arm and wrap the threads with sealing tape at the end side of the shower arm. Lay it on the preset position on the wall and screw up. Last, put on the shower head.	Put the decorating cover into the shower arm and wrap the threads with sealing tape at the end side of the shower arm. Lay it on the preset position on the wall and screw up. Last, put on the shower head.

4. Wrap the inlet connector of shower panel using sealing tape and put it to the shower outlet hole, screw up with the wrench. Next, put on the shower panel and screw back.	4. Wrap the inlet connector of shower panel using sealing tape and put it to the shower outlet hole, screw up with the wrench. Next, put on the shower panel and screw back.	3. Preset the position of the base and fix the screws on the wall, cover up the decorative lid; Put on the tube and the other side of the base.	3. Preset the position of the base and fix the screws on the wall, cover up the decorative lid; Put on the tube and the other side of the base.	4. The decorative cup sets into the Shower bar, align the mounting holes of Shower bar with the water outlet connector and the fixed connector and install, screw them up with Allen key; Install the tube into the shower bar, adjust the direction of the water outlet and tighten the screw with a hexagonal key.



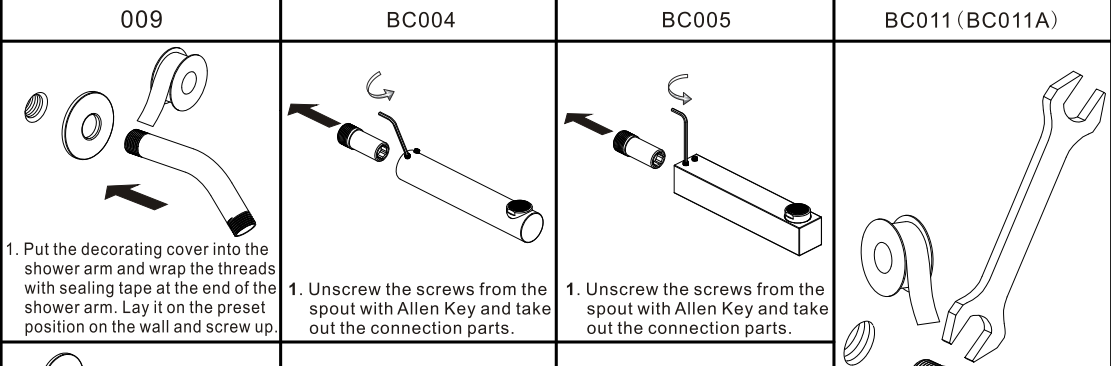
5. Insert O-ring to Hex nut of shower hose, connect to the outlet of shower panel; Insert O-ring to round nut of shower hose, connect to hand shower; hang the hand shower to shower holder

5. Insert O-ring to Hex nut of shower hose, connect to the outlet of shower panel; Insert O-ring to round nut of shower hose, connect to hand shower; hang the hand shower to shower holder

4. Sliding bar is well assembled.

4. Sliding bar is well assembled.

5. Shower bar is well assembled.

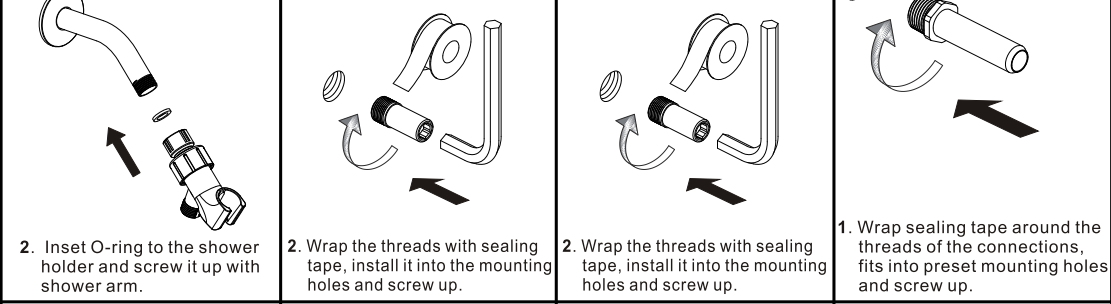


1. Put the decorating cover into the shower arm and wrap the threads with sealing tape at the end of the shower arm. Lay it on the preset position on the wall and screw up.

1. Unscrew the screws from the spout with Allen Key and take out the connection parts.

1. Unscrew the screws from the spout with Allen Key and take out the connection parts.

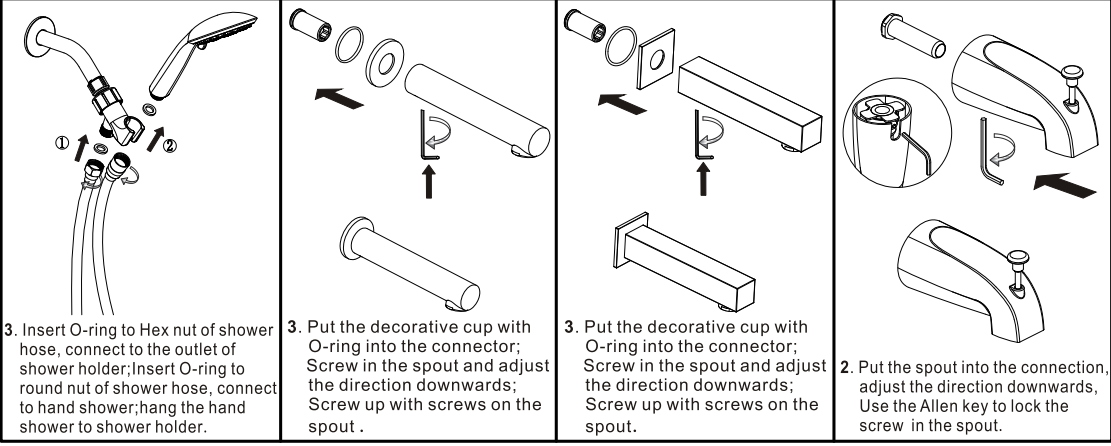
1. Wrap sealing tape around the threads of the connections, fits into preset mounting holes and screw up.



2. Inset O-ring to the shower holder and screw it up with shower arm.

2. Wrap the threads with sealing tape, install it into the mounting holes and screw up.

2. Wrap the threads with sealing tape, install it into the mounting holes and screw up.

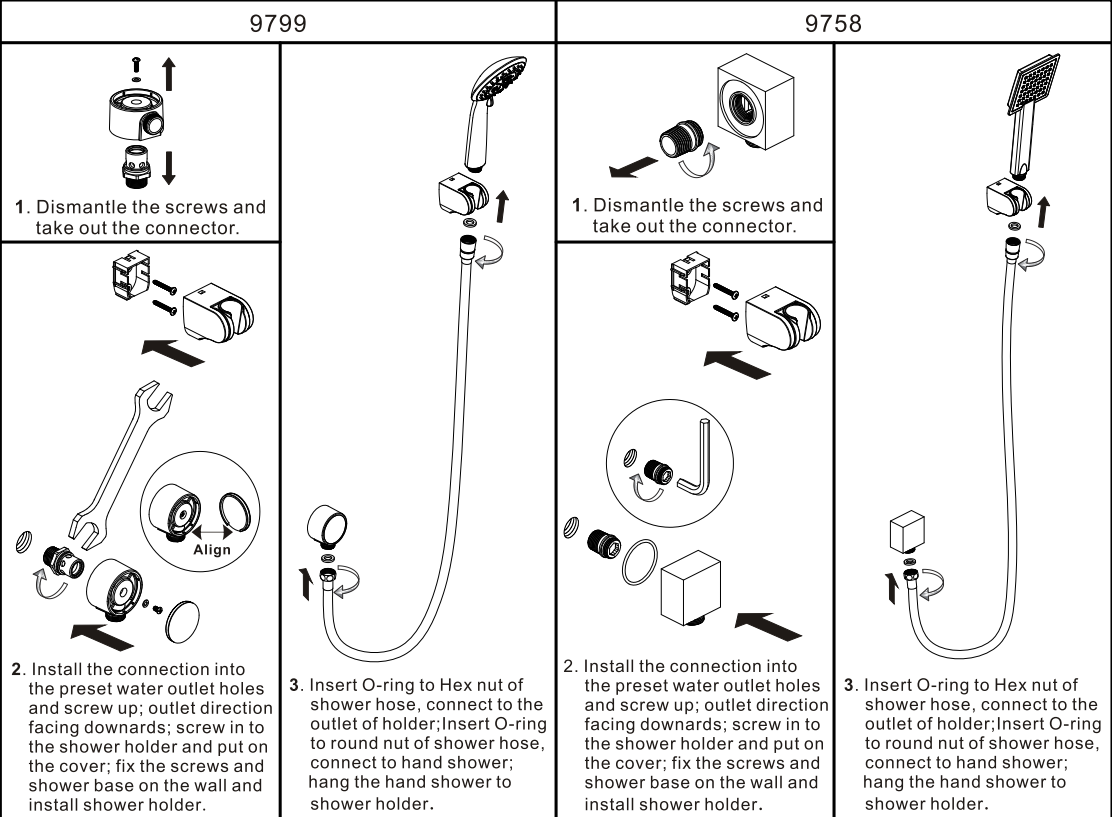


3. Insert O-ring to Hex nut of shower hose, connect to the outlet of shower holder; Insert O-ring to round nut of shower hose, connect to hand shower; hang the hand shower to shower holder.

3. Put the decorative cup with O-ring into the connector; Screw in the spout and adjust the direction downwards; Screw up with screws on the spout.

3. Put the decorative cup with O-ring into the connector; Screw in the spout and adjust the direction downwards; Screw up with screws on the spout.

2. Put the spout into the connection, adjust the direction downwards, Use the Allen key to lock the screw in the spout.



1. Dismantle the screws and take out the connector.

1. Dismantle the screws and take out the connector.

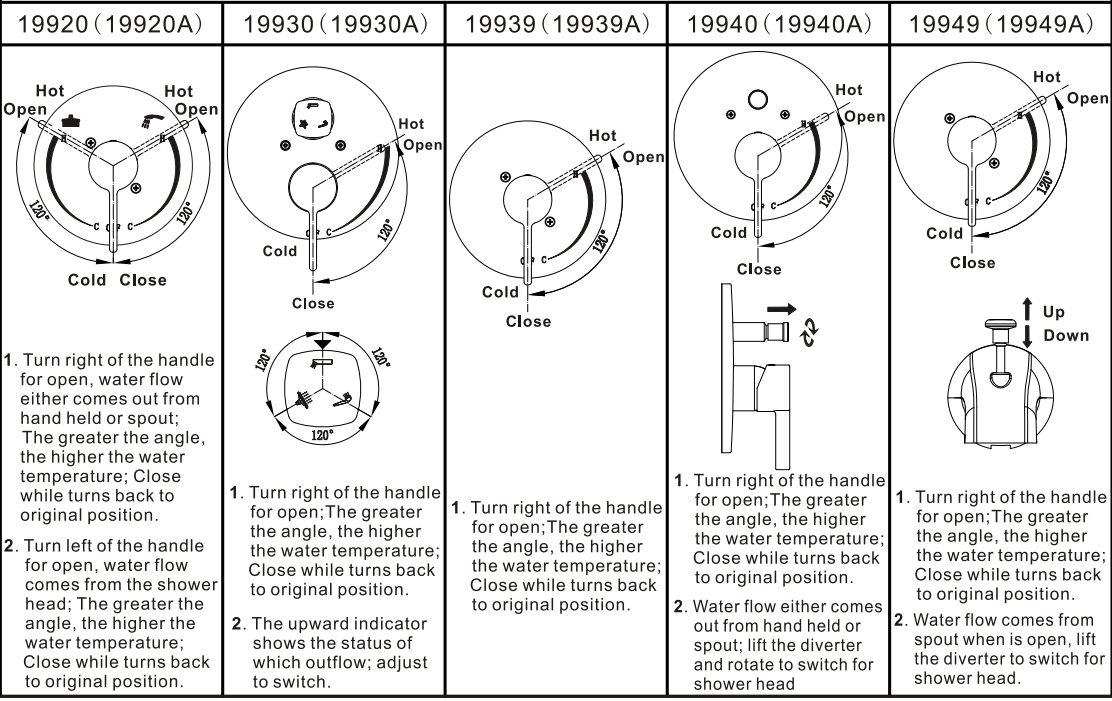
2. Install the connection into the preset water outlet holes and screw up; outlet direction facing downwards; screw in to the shower holder and put on the cover; fix the screws and shower base on the wall and install shower holder.

3. Insert O-ring to Hex nut of shower hose, connect to the outlet of holder; Insert O-ring to round nut of shower hose, connect to hand shower; hang the hand shower to shower holder.

2. Install the connection into the preset water outlet holes and screw up; outlet direction facing downwards; screw in to the shower holder and put on the cover; fix the screws and shower base on the wall and install shower holder.

3. Insert O-ring to Hex nut of shower hose, connect to the outlet of holder; Insert O-ring to round nut of shower hose, connect to hand shower; hang the hand shower to shower holder.

**Usage instructions of the Faucet valve**



1. Turn right of the handle for open, water flow either comes out from hand held or spout; The greater the angle, the higher the water temperature; Close while turns back to original position.

2. Turn left of the handle for open, water flow comes from the shower head; The greater the angle, the higher the water temperature; Close while turns back to original position.

1. Turn right of the handle for open; The greater the angle, the higher the water temperature; Close while turns back to original position.

2. The upward indicator shows the status of which outflow; adjust to switch.

1. Turn right of the handle for open; The greater the angle, the higher the water temperature; Close while turns back to original position.

2. Water flow either comes out from hand held or spout; lift the diverter and rotate to switch for shower head

1. Turn right of the handle for open; The greater the angle, the higher the water temperature; Close while turns back to original position.

2. Water flow comes from spout when is open, lift the diverter to switch for shower head.