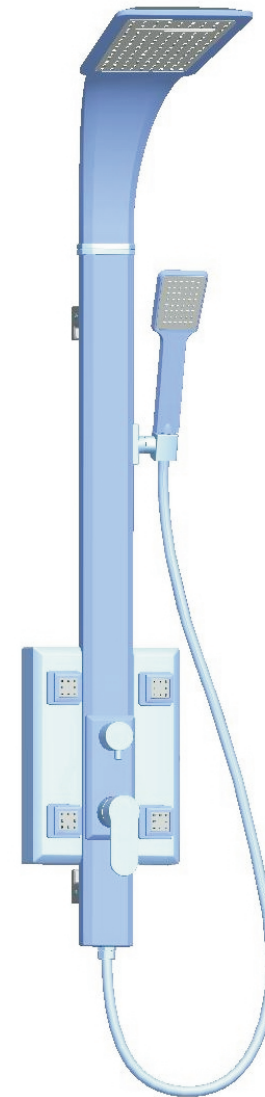


# Installation Guide



**Shower Panel**  
GUARANTEED QUALITY

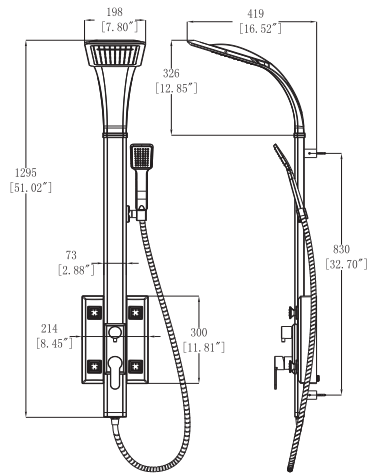
EN

**Easy Install Shower Panel**

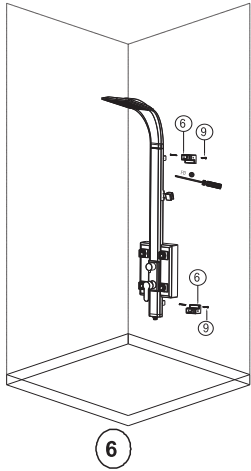


**Installation and User Guide**

**DIMENSIONS**

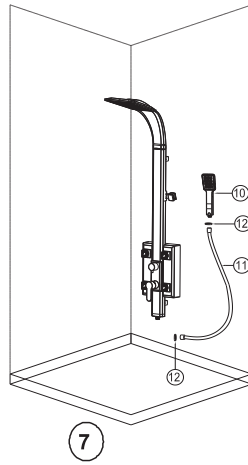


## INSTALLATION



6. After all the connections have been completed on the rear of the shower panel, it is ready to be pushed into the Positioning and Support Wall Mounting holders #6 for permanent installation, lock tight with screws #9.

7. Connect one end of shower hose to the hand shower, and the other end to shower panel.



**Congratulations!**  
**You have completed installation of your new shower panel. We hope you enjoy using it for many years. Contact us, if you have any questions or comments.**

## FEATURES

- Single-piece curving panel design
- ABS single-function hand shower
- 126-nozzle overhead "rainfall" shower array and "waterfall"
- 4-way shower selector knob
- Easy to install and connection to existing shower mixer

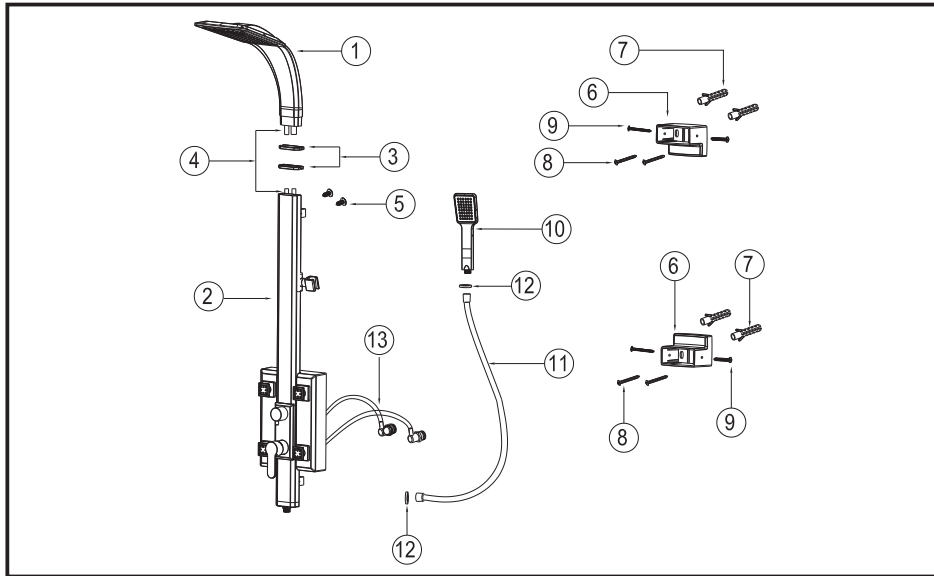
## Technical Data

Maximum operating pressure:	125psi
Recommended pressure:	50~80psi
Test pressure:	20psi,125psi
Max.hot water temperature:	176°F/80°C
Recommended hot water temperature:	120~160°F
Flow rate @ 80 psi:	<2.5gpm

\* For safety, it is highly recommended you familiarize yourself with all applicable local plumbing codes and temperature safety guidelines for your area before setting the temperature on the shower panel (especially for very hot water)

## Parts List

ITEM DESCRIPTION	QTY
1. Shower Head	1
2. Aluminium Shower Bar	1
3. Decoration Caps	2
4. Hex Nuts	2
5. Screws(For shower bar and shower head connection )	2
6. Positioning and Support Wall Mounting holders	2
7. Anchor Screws	4
8. Screws for Positioning and Support holder	4
9. Screws for Supporting Shower Panel and Holder	4
10. ABS Hand Shower	1
11. 1.5M Shower Hose	1
12. Filter Gasket	2
13. Braided Hose	2



### Recommended Tools for Installation:

Phillips Screwdriver	Pencil	Shears	Wrenches 24mm(15/16")	Level	Sealing Tape	Hammer	6mm (15/64") Drill Bit

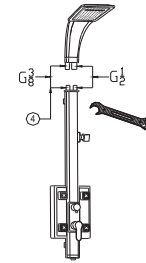
### Attention

- Please read this Installation and User Guide before operating.
- Always take extra care when installing to prevent injury. Please wear appropriate safety equipment.
- Do not allow children unsupervised use of the shower panel.
- Do not use the shower panel if you are physically impaired or under the influence of the alcohol or any substance which may prevent you from properly operating the shower panel.
- Keep enough distance between yourself and the shower panel.
- Do not allow sensitive parts of the body such as eyes to come too close to the shower jets.
- Proper pressure balance needs to be maintained between hot and cold water inputs to prevent scalding or injury.

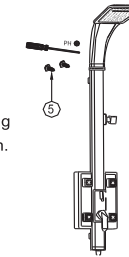
### Important Note for Installation

- Before and during installation, Please read and familiarized yourself with all installation instructions for this products.
- Please keep all the components, parts and accessories of this product away from small children and minors. During installation, all screws, tools and small parts should be supervised so that they do not fall into the hands of children.
- Use caution at all times when installing this product, Please ensure that you are physically able to perform all parts of the installation and that you have the correct tools and equipment needed.
- Before beginning, remove all wrappers and packing materials including staples and packing straps.
- Please check to ensure that all components and parts are complete.
- The Filter Gasket (Part #18) must be installed to protect against incoming dirt by pipe work. Incoming dirt can impair the function and/or lead to damages on functional parts of the fixture. Manufacturer: will not be held liable for resulting damages.

### ASSEMBLY

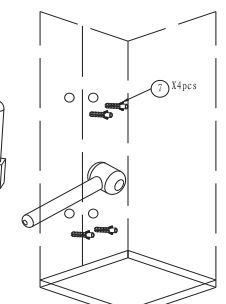
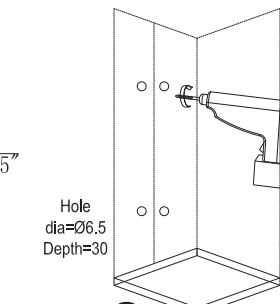
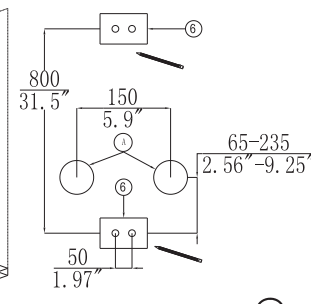
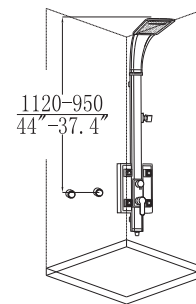


Using the wrenches to connect the hex nuts of the shower head and shower panel by connecting them and turning clockwise to tighten.



Using the supplied screws (Part 5) to support and positioning the shower head and shower panel.

### INSTALLATION

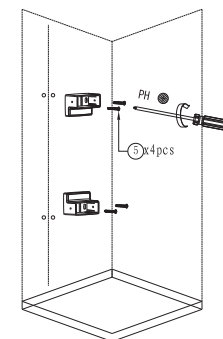


1. Draw the punch points as per diagram

3. After holes have been drilled, insert the provided anchor screws

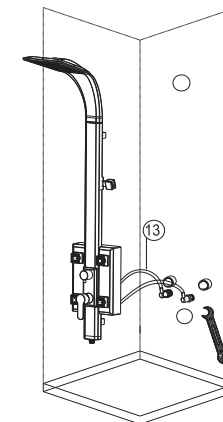
2. Use the drill with correct indicated sized drill bit to drill each of the 4 holes as marked. Do not drill too deep a hole, only enough depth to fully enclose the anchor screws.

Note: Please double check to ensure there is no existing water pipes or obstruction behind area you are drilling. If there is an obstruction, you will need to reposition the avoid it.



4

4. After anchor screws have been installed, install Positioning and Support Wall Mounting holders #8 using supplied screws #8.



5

5. Connect the braided hose #13 to the existing hot & cold water outlet and turning clockwise to tighten.